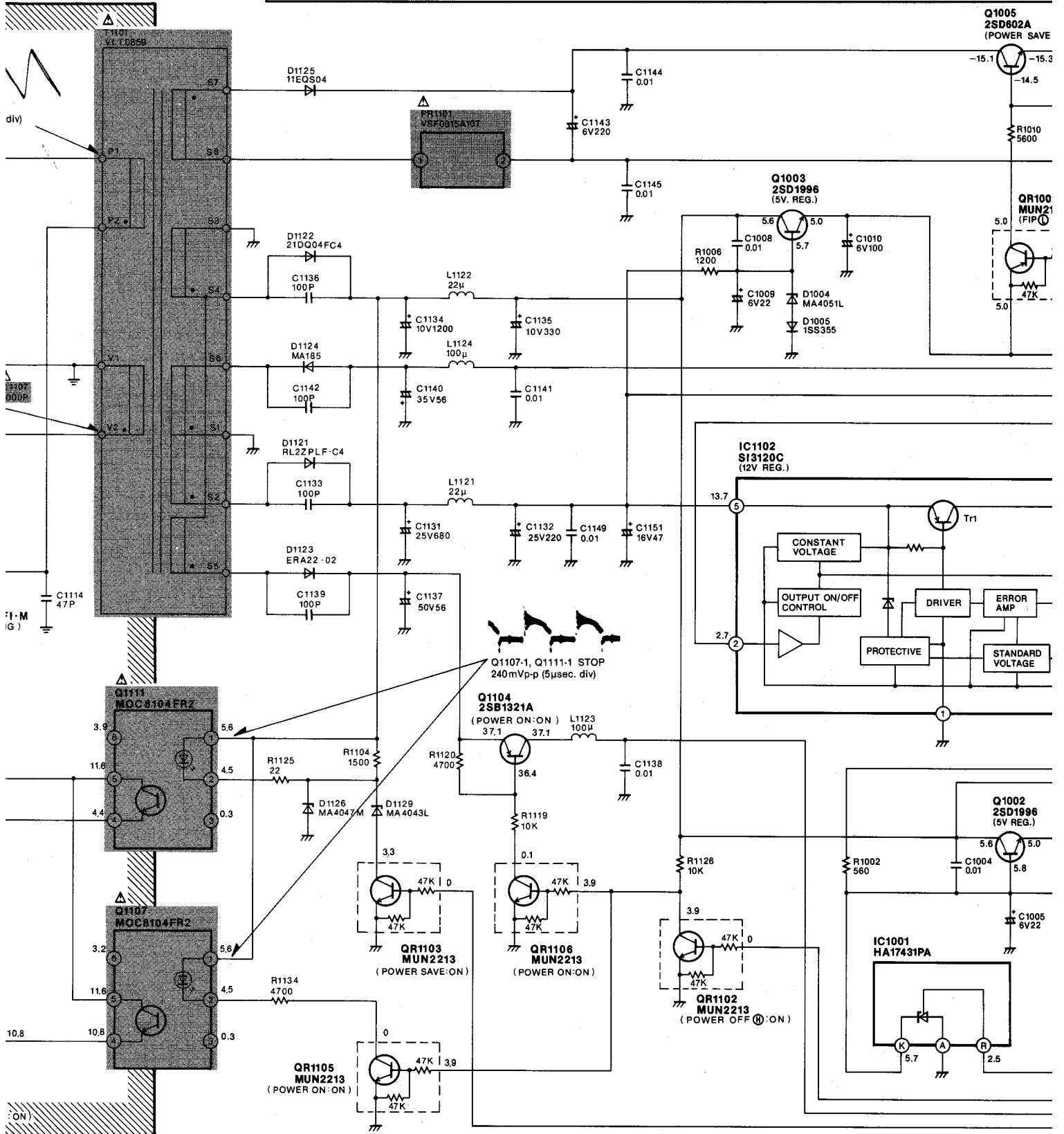




**CAUTION**

THE RED MARK INDICATES THE PRIMARY CIRCUIT TO DISTINGUISH THE PRIMARY CIRCUIT FROM THE SECONDARY CIRCUIT. PAY ATTENTION NOT TO RECEIVE AN ELECTRIC SHOCK DURING REPAIR OF THE PRODUCTS.

50EE)



NOTE 1. WHEN MEASURE THE VOLTAGE OR WAVEFORM ON THE POWER TRANSFORMER PRIMARY CIRCUIT, SET THE GND TERMINAL OF MEASURING POINT AS FOLLOWS.

PRIMARY SIDE ..... ⚡  
SECONDARY SIDE ..... ⚡

NOTE 2. THE DC VOLTAGE INDICATED IN INPUT AC IS 240V.

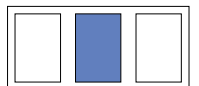
5

6

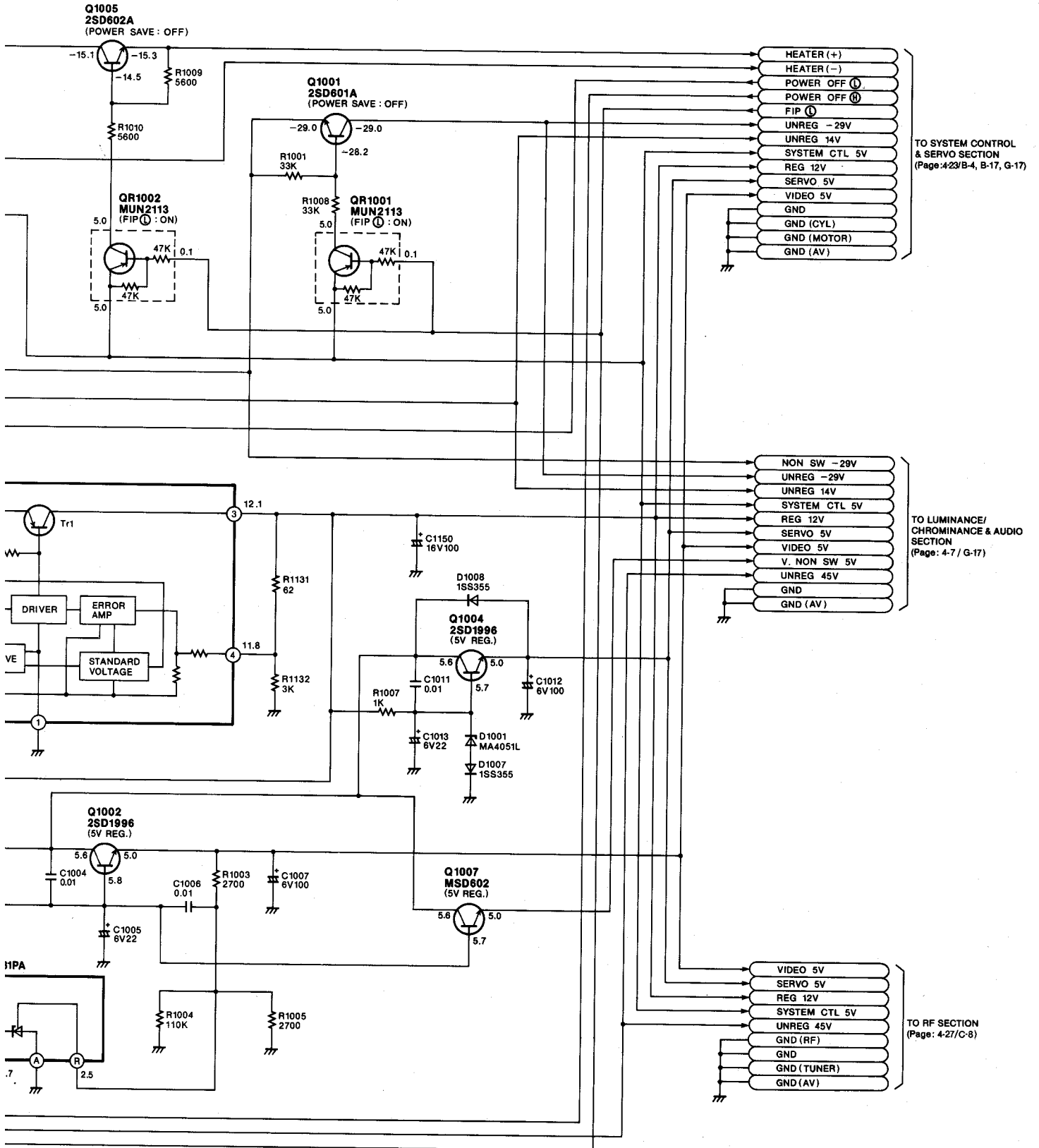
7

8

9

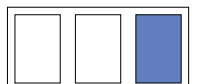


STINGUISH THE PRIMARY FROM  
DURING REPAIR AND SERVICE OF

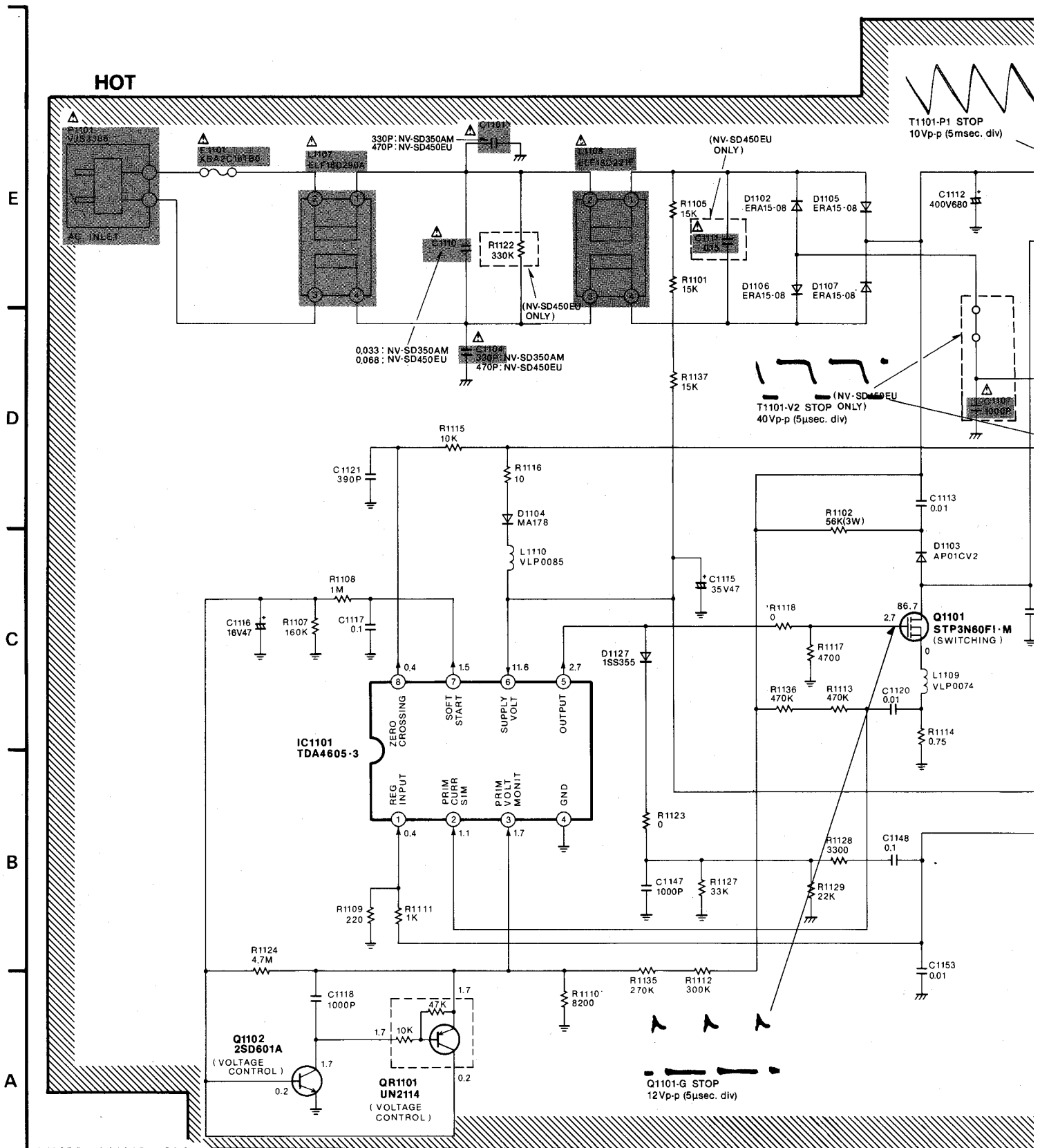


DC VOLTAGE INDICATED IN PRIMARY SIDE IS SHOWN THE VOLTAGE WHEN T AC IS 240V.

NOTE: DO NOT USE ANY PART NUMBER SHOWN ON THIS SCHEMATIC DIAGRAM FOR ORDERING. WHEN YOU ORDER A PART, PLEASE REFER TO PARTS LIST.

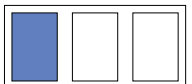


# 4-2. POWER SUPPLY SECTION IN MAIN SCHEMATIC DIAGRAM (NV-SD350AJ)



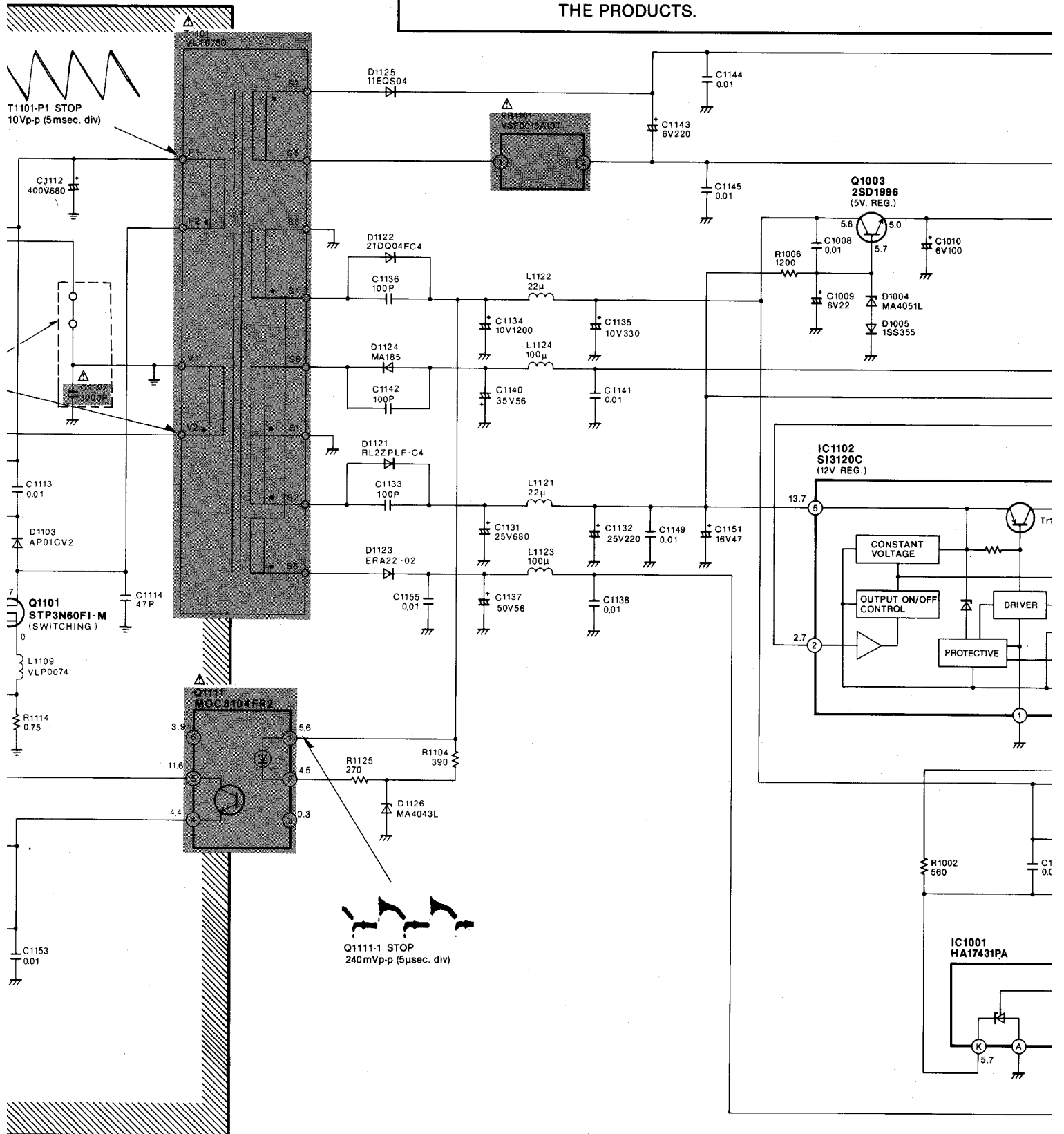
**IMPORTANT SAFETY NOTICE:**  
 COMPONENTS IDENTIFIED WITH THE MARK  $\Delta$  HAVE THE SPECIAL CHARACTERISTICS FOR SAFETY.  
 WHEN REPLACING ANY OF THESE COMPONENTS, USE ONLY THE SAME TYPE.

NOTE: THE MEASUREMENT MODE OF THE DC VOLTAGE ON THIS DIAGRAM IS STOP MODE.



# V-SD350AM, NV-SD450EU)

**CAUTION** THE RED MARK INDICATES THE PRIMARY CIRCUIT TO DIST THE SECONDARY CIRCUIT. PAY ATTENTION NOT TO RECEIVE AN ELECTRIC SHOCK DUI THE PRODUCTS.



I IS STOP MODE. NOTE 1. WHEN MEASURE THE VOLTAGE OR WAVEFORM ON THE POWER TRANSFORMER CIRCUIT, SET THE GND TERMINAL OF MEASURING POINT AS FOLLOWS. PRIMARY SIDE ..... ⚡ SECONDARY SIDE ..... ⚡ NOTE 2. THE DC VOLTAGE INPUT AC IS 240V

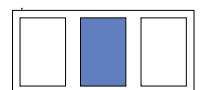
5

6

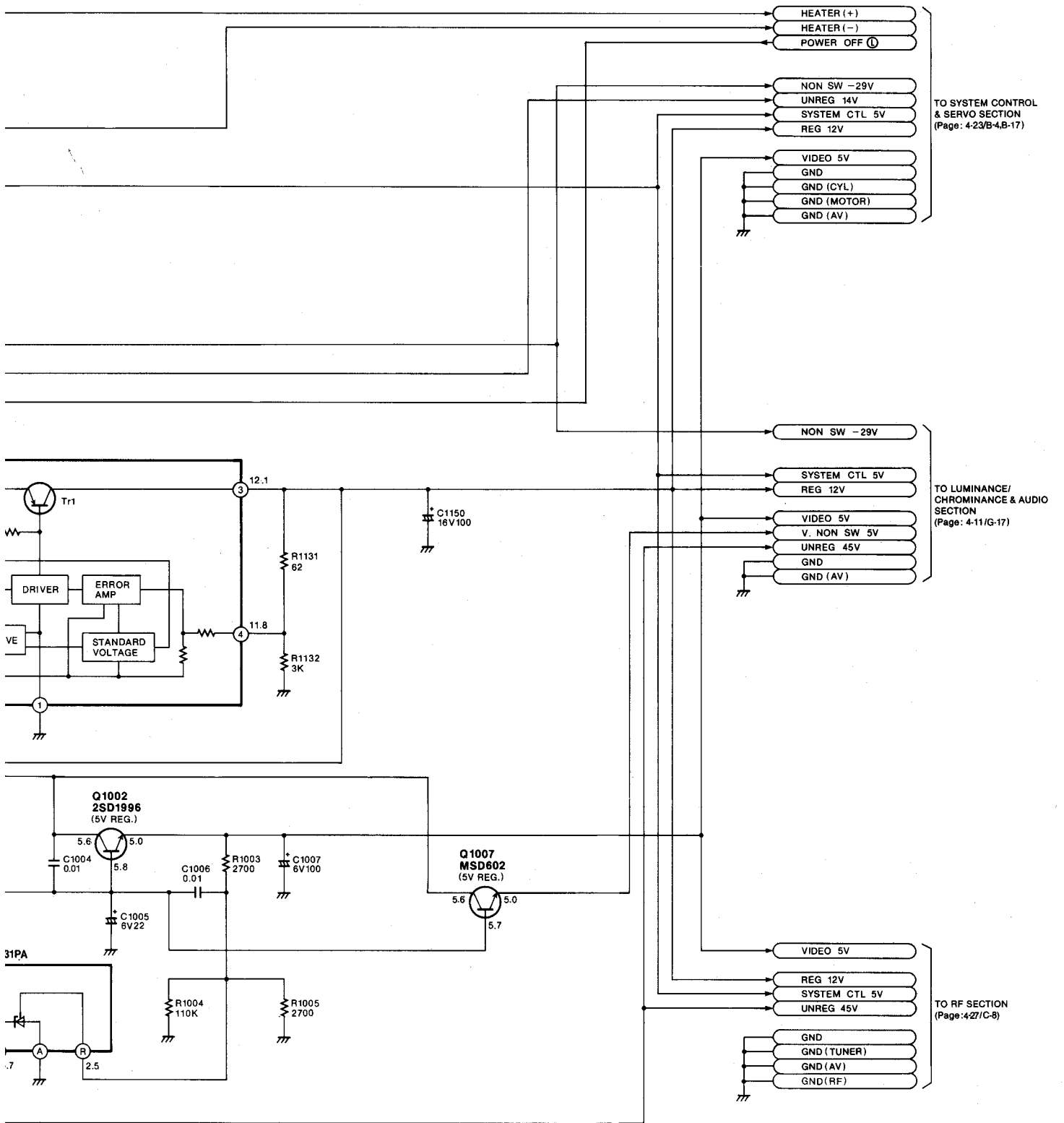
7

8

9



TO DISTINGUISH THE PRIMARY FROM  
 DCK DURING REPAIR AND SERVICE OF



DC VOLTAGE INDICATED IN PRIMARY SIDE IS SHOWN THE VOLTAGE WHEN  
 T AC IS 240V.

NOTE: DO NOT USE ANY PART NUMBER SHOWN ON THIS  
 SCHEMATIC DIAGRAM FOR ORDERING. WHEN YOU  
 ORDER A PART, PLEASE REFER TO PARTS LIST.

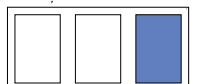
9

10

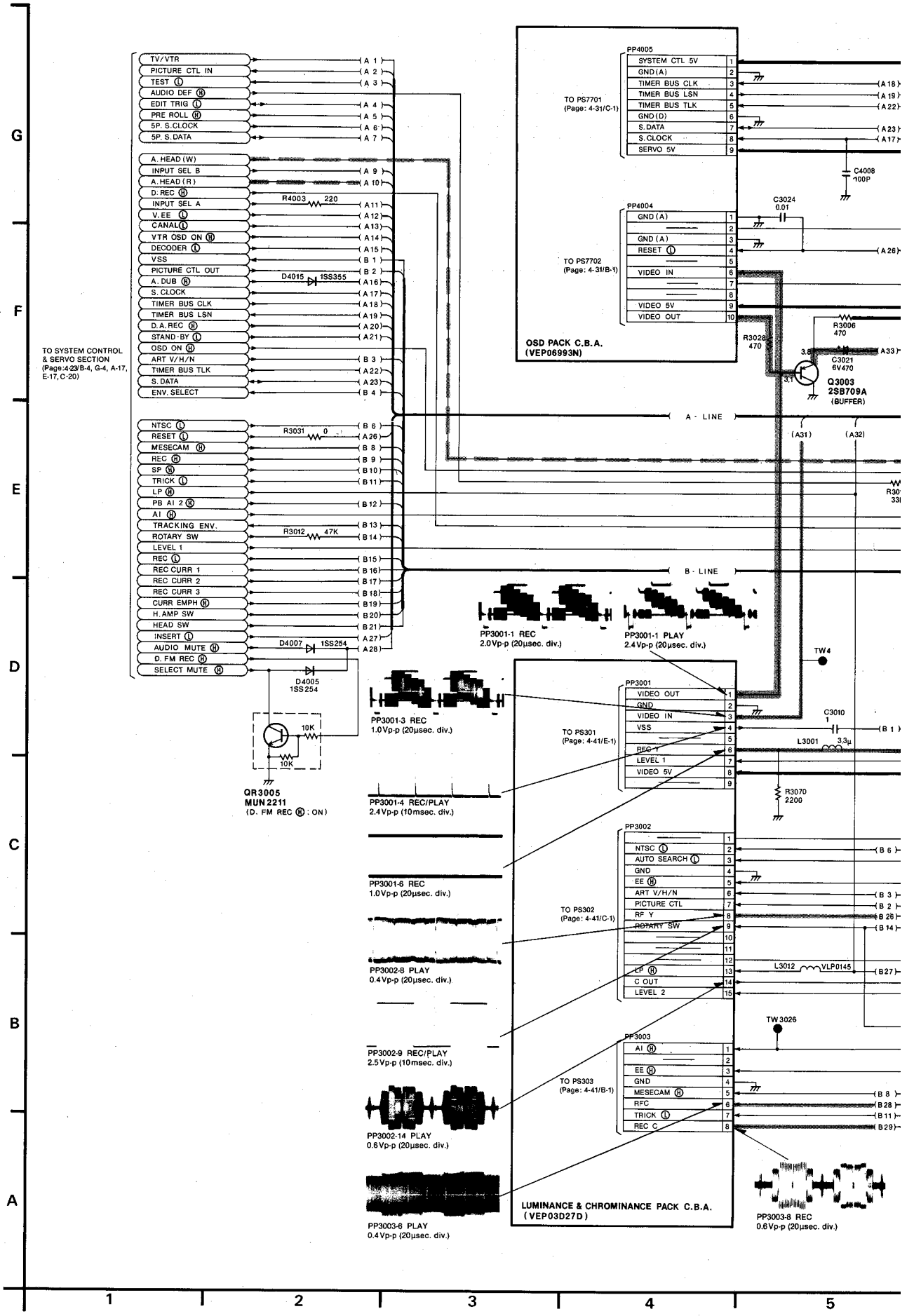
11

12

13



# 4-3. LUMINANCE/CHROMINANCE & AUDIO SECTION IN MAIN S



TO SYSTEM CONTROL & SERVO SECTION  
(Page: 4-23/B-4, G-4, A-17, E-17, C-20)

TO PS7701  
(Page: 4-31/C-1)

TO PS7702  
(Page: 4-31/B-1)

OSD PACK C.B.A.  
(VEP0693N)

TO PS301  
(Page: 4-41/E-1)

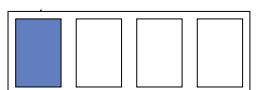
TO PS302  
(Page: 4-41/C-1)

TO PS303  
(Page: 4-41/B-1)

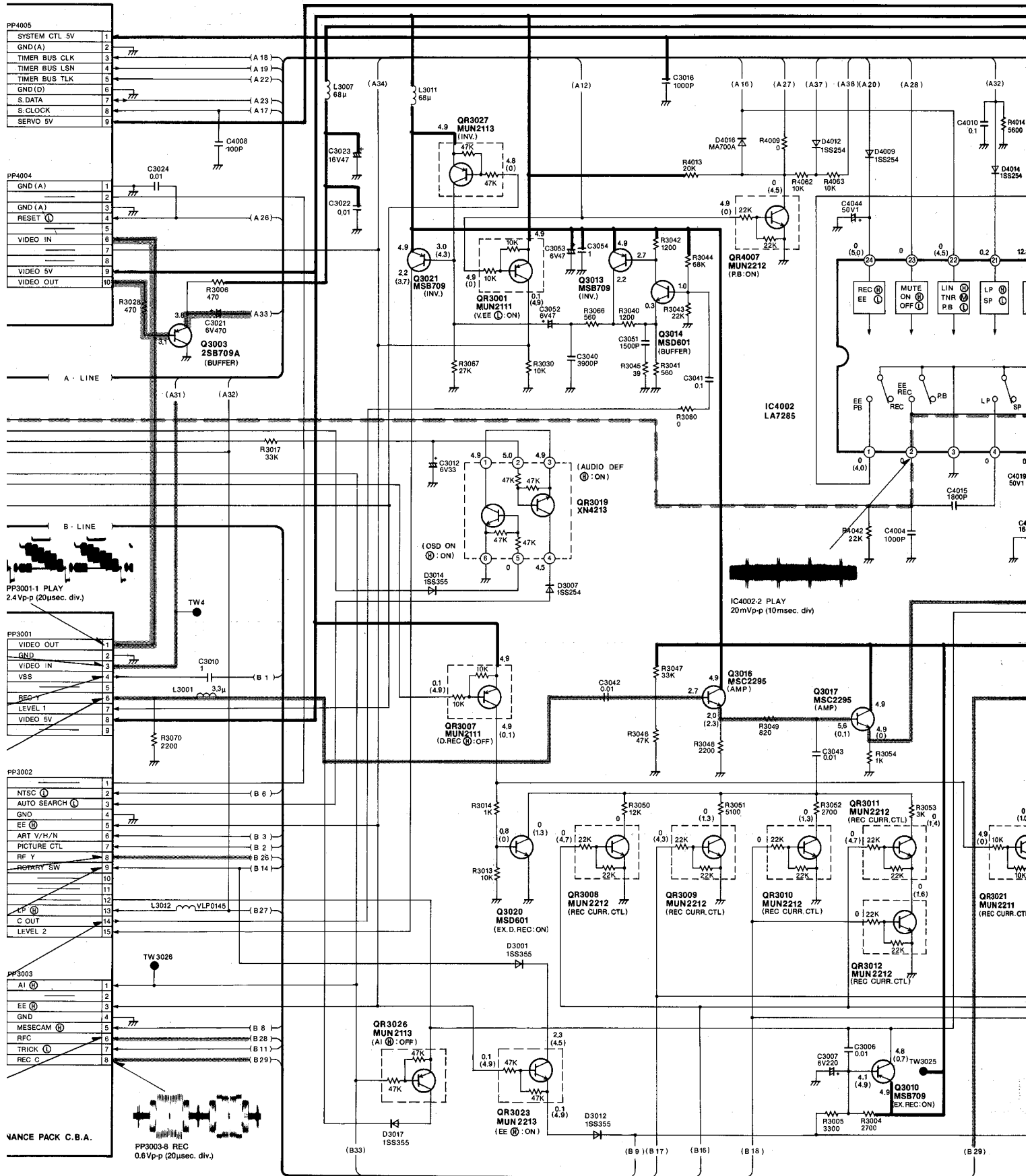
LUMINANCE & CHROMINANCE PACK C.B.A.  
(VEP03D27D)

G  
F  
E  
D  
C  
B  
A

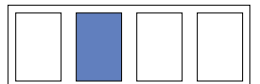
1 2 3 4 5



# SECTION IN MAIN SCHEMATIC DIAGRAM (NV-SD450EE)



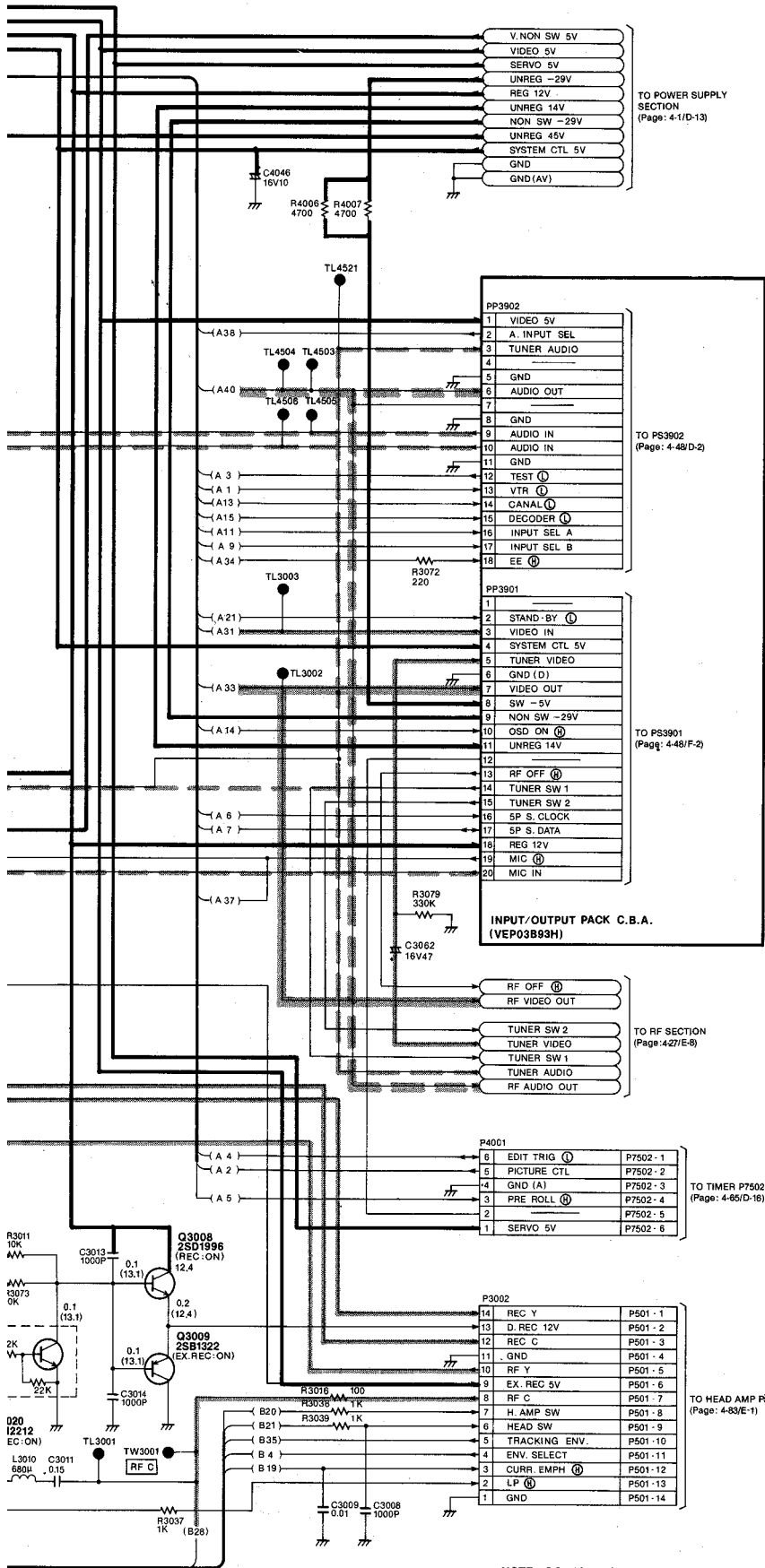
NOTE: THE MEASUREMENT WITH PAL COLOUR





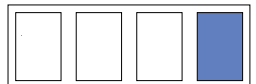


**AUDIO MAIN SIGNAL PATH IN REC MODE**  
**AUDIO MAIN SIGNAL PATH IN PLAYBACK MODE**

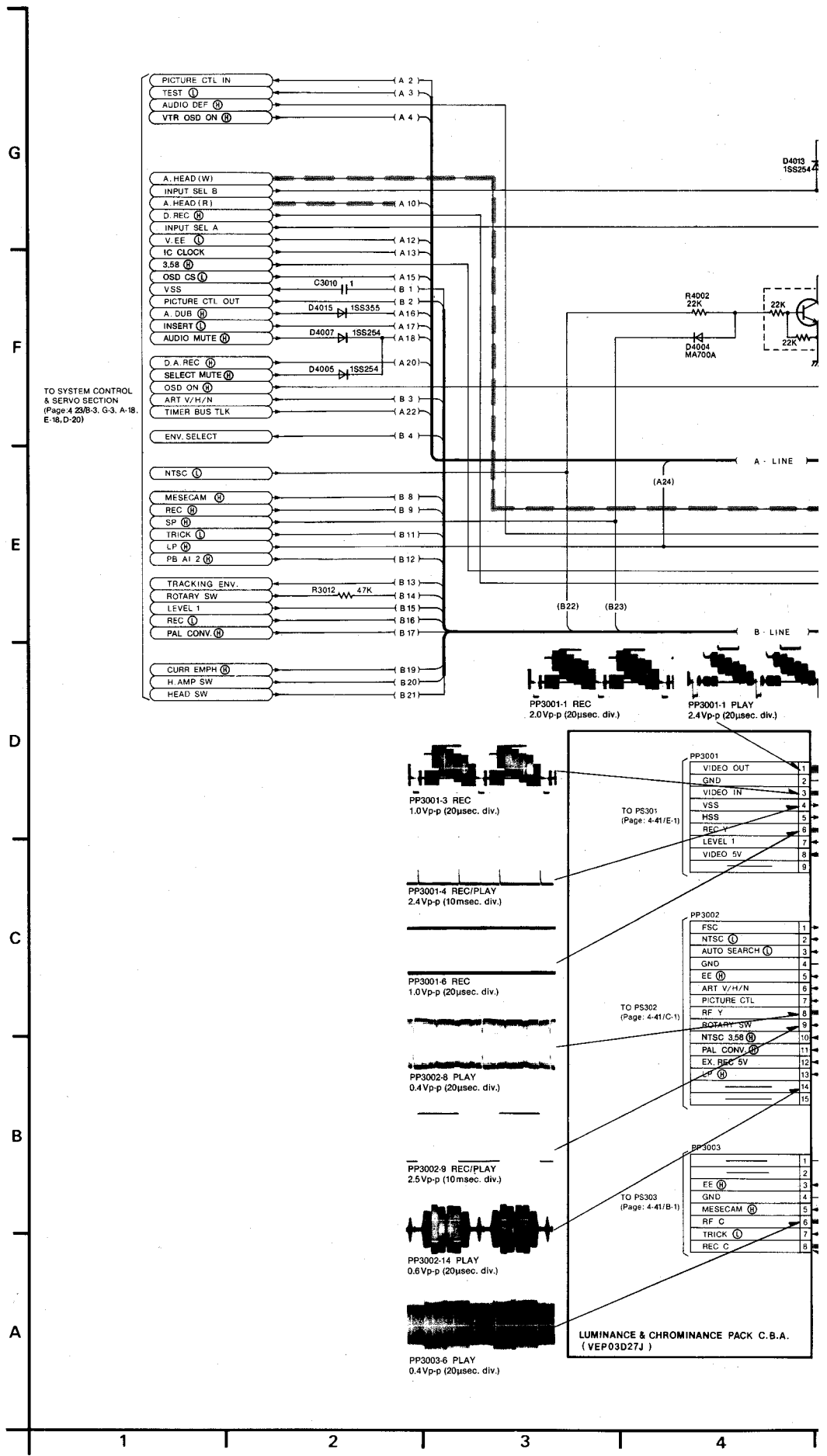


AS SHOWN ON THIS DIAGRAM IS PLAYBACK MODE

NOTE: DO NOT USE ANY PART NUMBER SHOWN ON THIS SCHEMATIC DIAGRAM FOR ORDERING. WHEN YOU ORDER A PART, PLEASE REFER TO PARTS LIST.

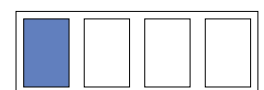


# 4-4. LUMINANCE/CHROMINANCE & AUDIO SECTION

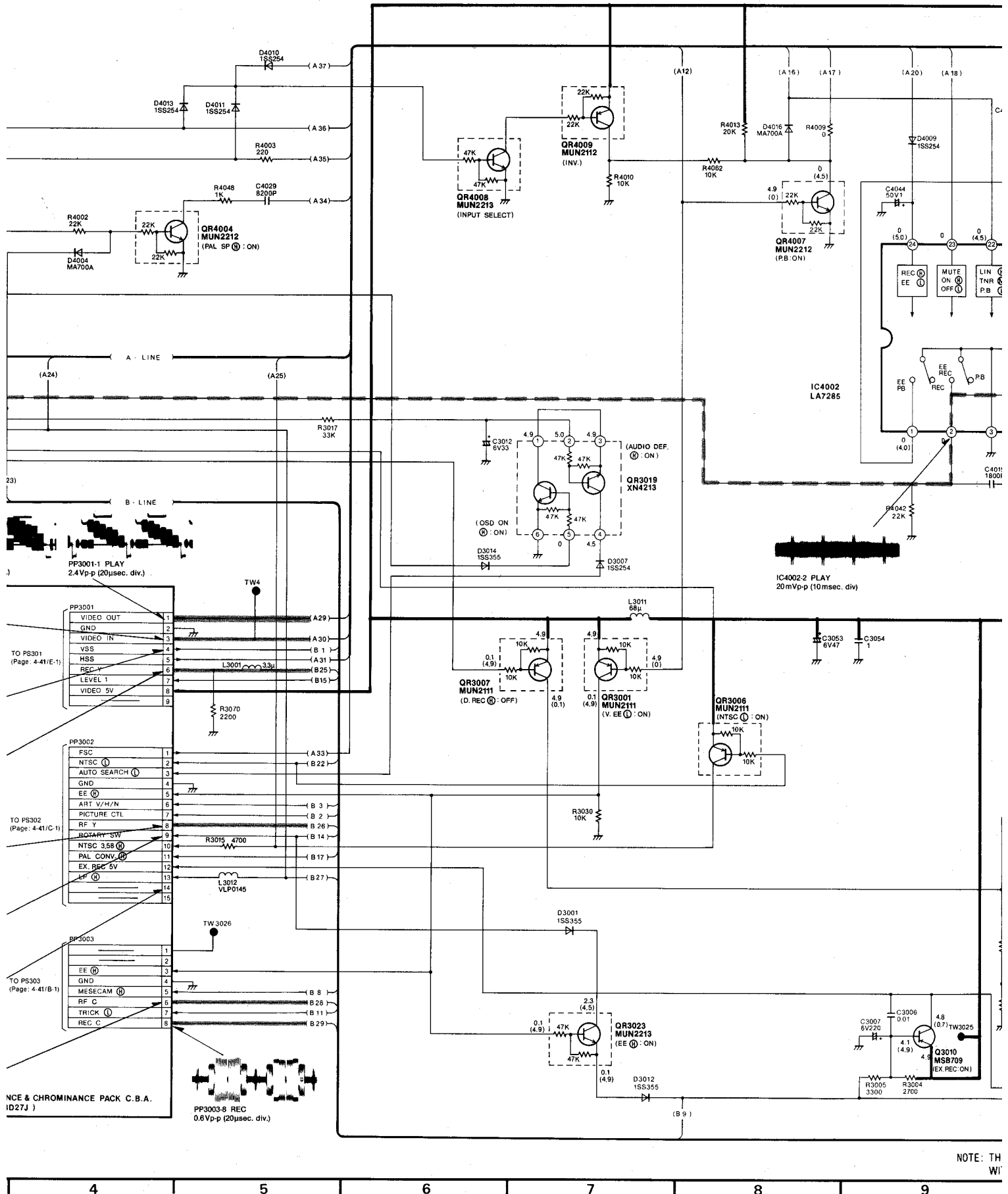


G  
F  
E  
D  
C  
B  
A

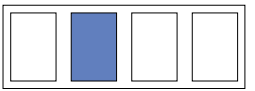
1 2 3 4



# DIO SECTION IN MAIN SCHEMATIC DIAGRAM (NV-SD350AM, NV-SD450EU)

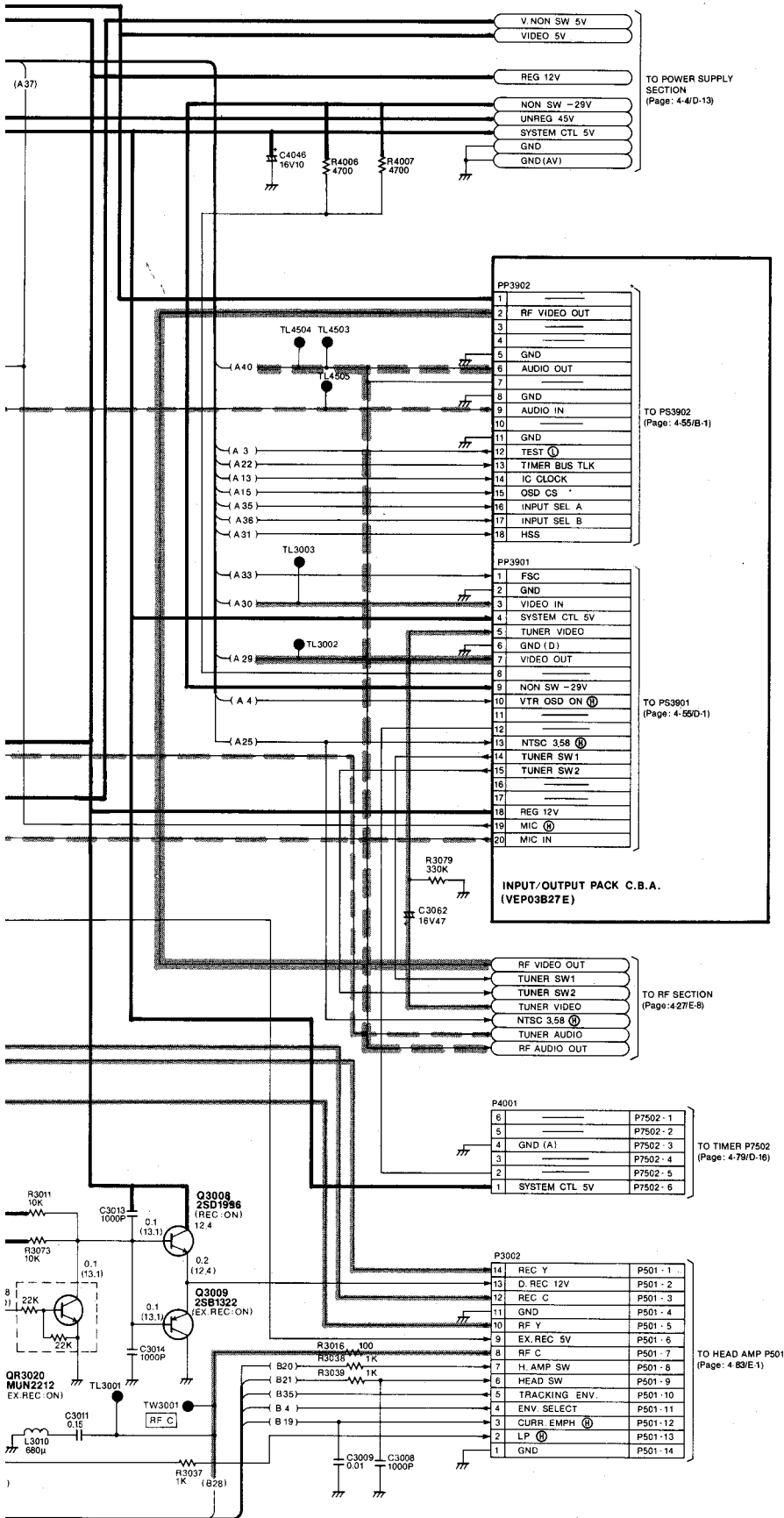


NOTE: TH  
WI



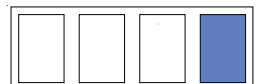


**AUDIO MAIN SIGNAL PATH IN REC MODE**  
**AUDIO MAIN SIGNAL PATH IN PLAYBACK MODE**



CONNECTS ON THIS DIAGRAM IS PLAYBACK MODE

NOTE: DO NOT USE ANY PART NUMBER SHOWN ON THIS SCHEMATIC DIAGRAM FOR ORDERING. WHEN YOU ORDER A PART, PLEASE REFER TO PARTS LIST.



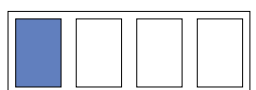
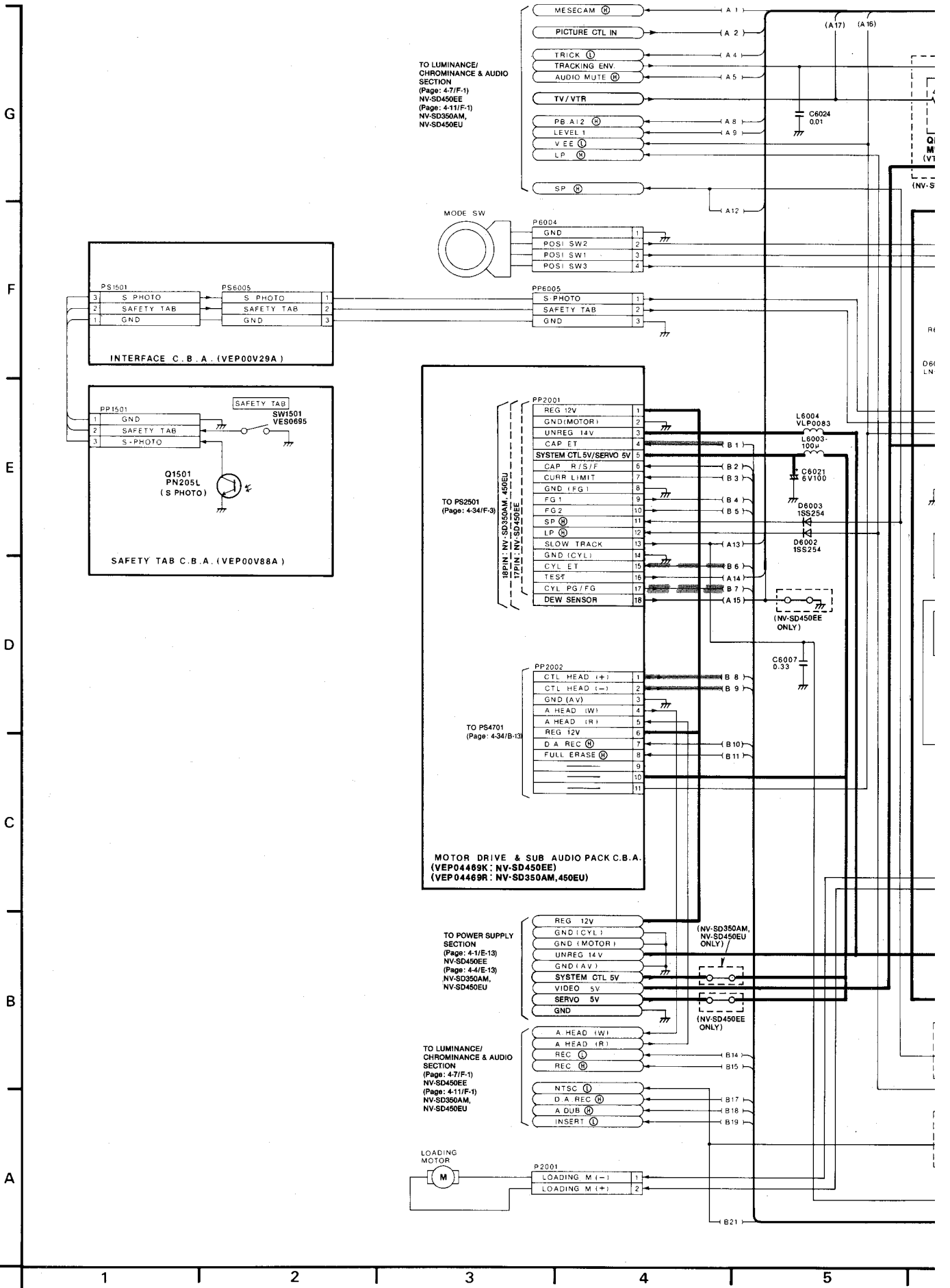


## SYSTEM CONTROL & SERVO TR.s DC VOLTAGE CHART (SP MODE)

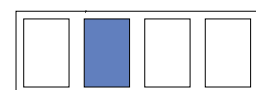
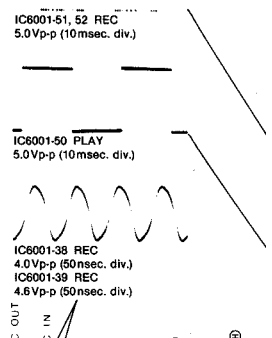
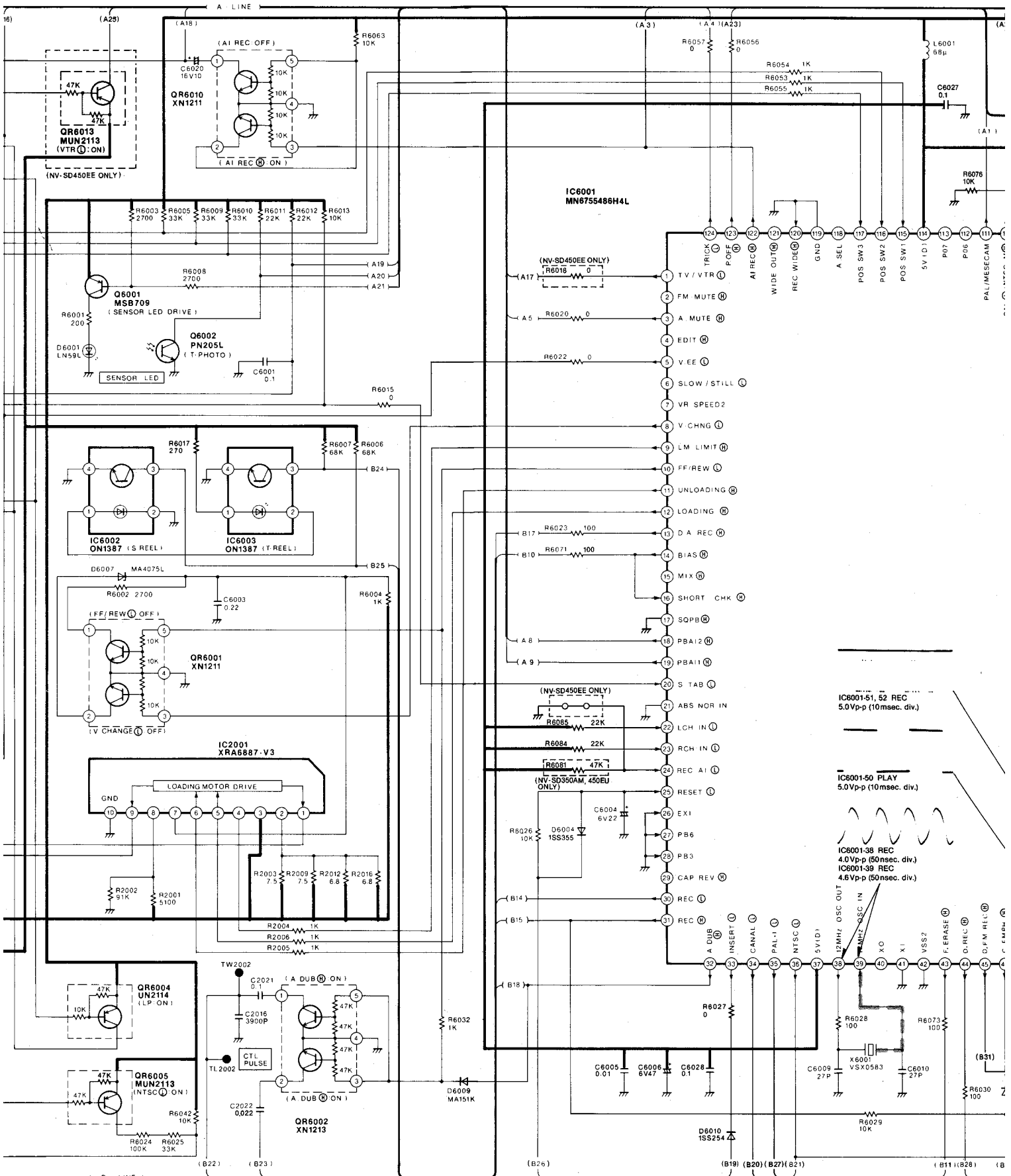
REF. NO.	Q1501			Q6001			Q6002											
MODE	E	C		E	C	B	E	C										
STOP	0	4.9		5.0	0.5	4.9	0	5.0										
PLAY	0	4.9		5.0	4.9	4.2	0	4.9										
REC	0	4.9		5.0	4.9	4.2	0	4.9										
F.F	0	4.8		5.0	4.9	4.2	0	4.9										
REW	0	4.8		5.0	4.9	4.2	0	4.9										
REF. NO.	QR6001					QR6002					QR6004			QR6005				
MODE	1	2	3	4	5	1	2	3	4	5	E	C	B	E	C	B		
STOP	0	0	4.8	0	4.8	0	0	4.6	0	4.6	5.0	0.3	4.8	5.0	4.5	4.9		
PLAY	0	0	4.8	0	4.8	0	0	4.6	0	4.6	5.0	0.3	4.8	5.0	4.4	4.8		
REC	0	0	4.8	0	4.8	0	0	4.6	0	4.6	5.0	0.2	4.8	5.0	5.0	4.8		
F.F	14.1	7.6	0	0	0	2.2	1.6	0	0	0	5.0	0.3	4.8	5.0	4.4	4.8		
REW	14.1	8.4	0	0	0	2.8	2.2	0	0	0	5.0	0.3	4.8	5.0	4.4	4.8		
REF. NO.	QR6009			QR6010					QR6012									
MODE	E	C	B	1	2	3	4	5	E	C	B							
STOP	5.0	4.8	4.9	0	2.9	0	0	2.9	0	13.0	0							
PLAY	5.0	4.8	4.8	0	2.9	0	0	2.9	0	13.0	0							
REC	5.0	4.8	4.8	0	2.9	0	0	2.9	0	13.0	0							
F.F	5.0	4.8	4.8	0	2.9	0	0	2.9	0	13.0	0							
REW	5.0	4.6	4.8	0	2.9	0	0	2.9	0	13.0	0							

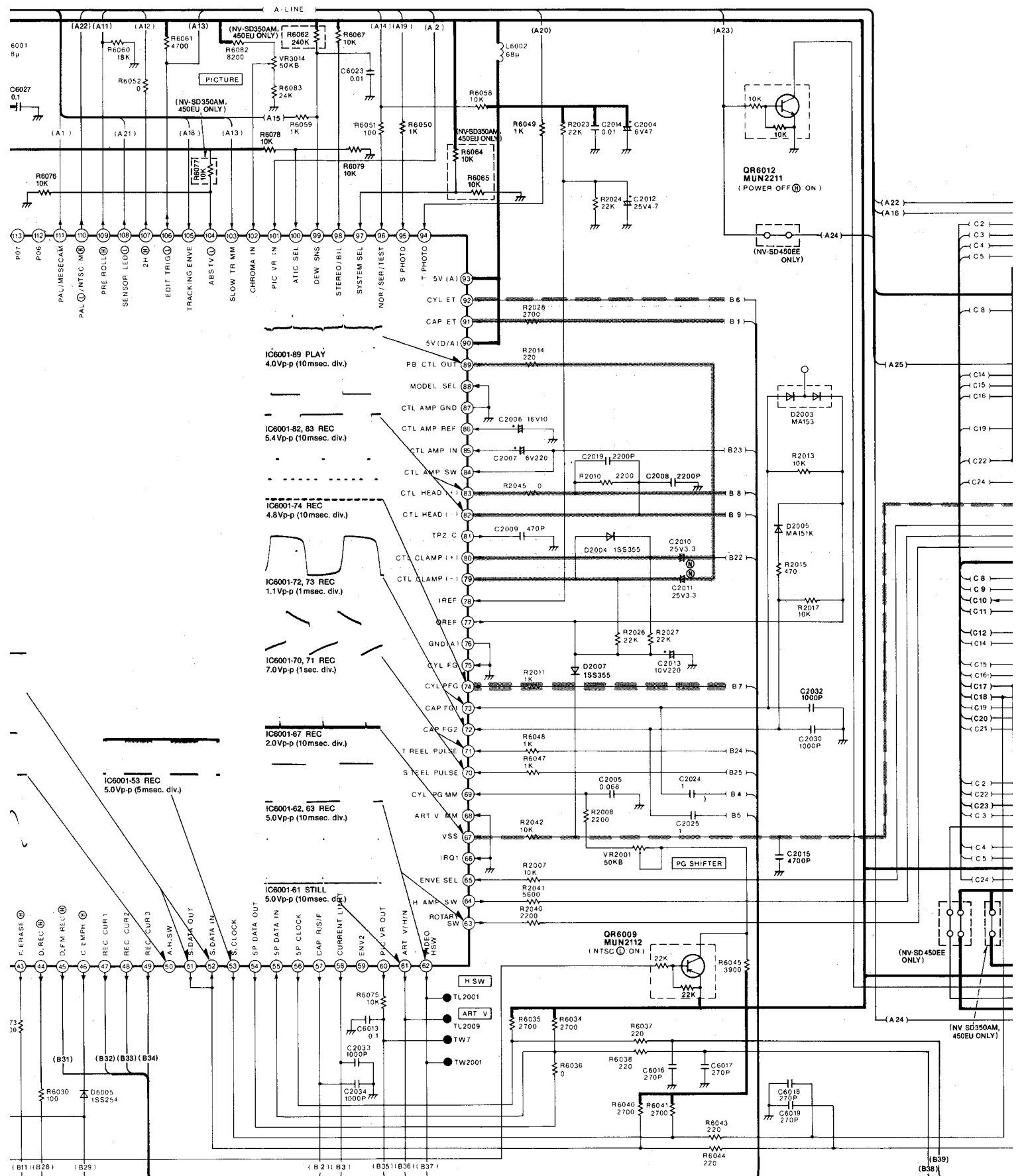


# 4-7. SYSTEM CONTROL & SERVO SECTION IN MAIN SCHEMATIC DL

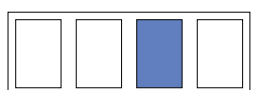


# C DIAGRAM

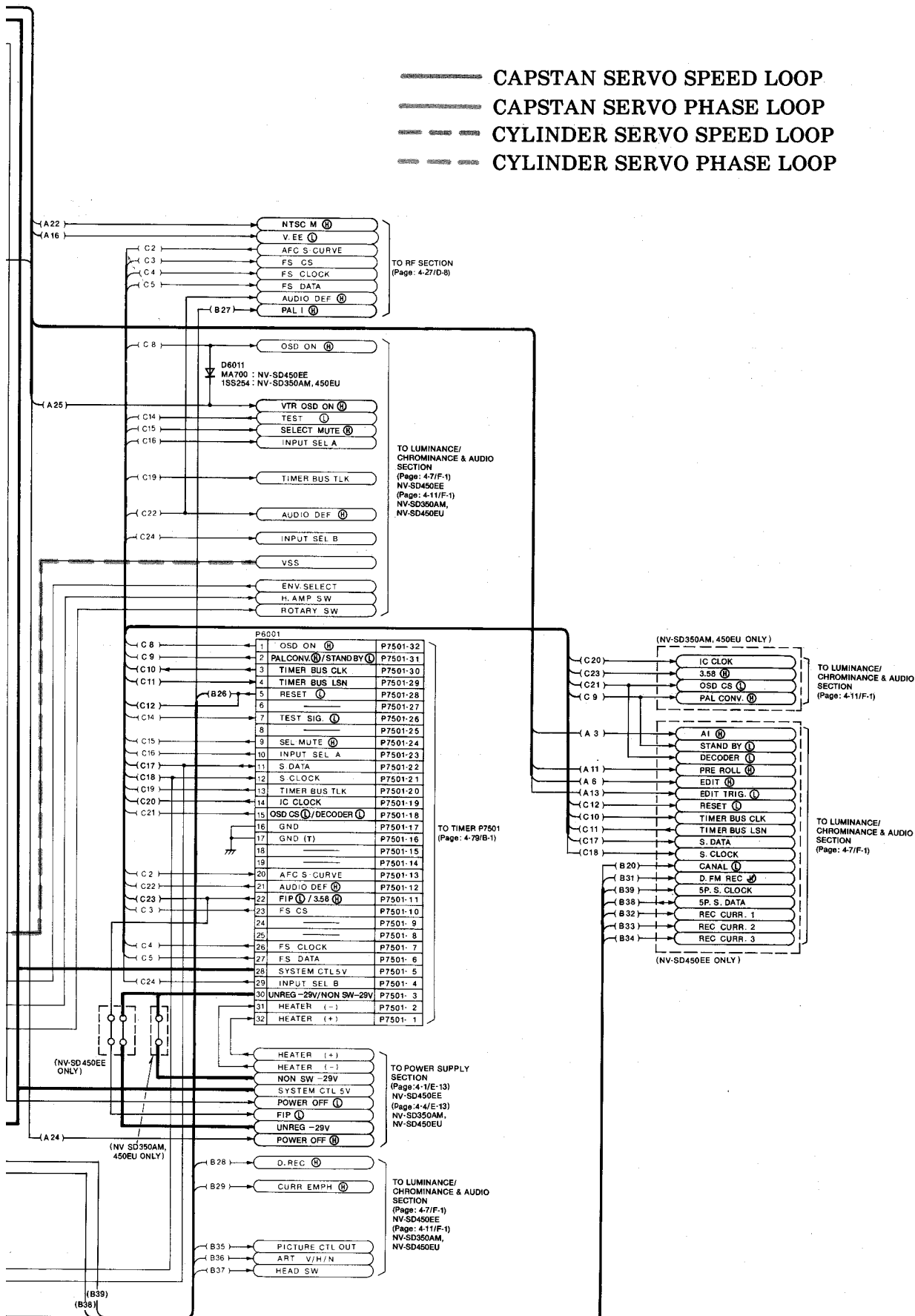




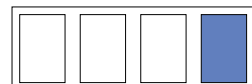
NOTE: DO NOT USE AN ORDERING. WI



- CAPSTAN SERVO SPEED LOOP
- CAPSTAN SERVO PHASE LOOP
- CYLINDER SERVO SPEED LOOP
- CYLINDER SERVO PHASE LOOP

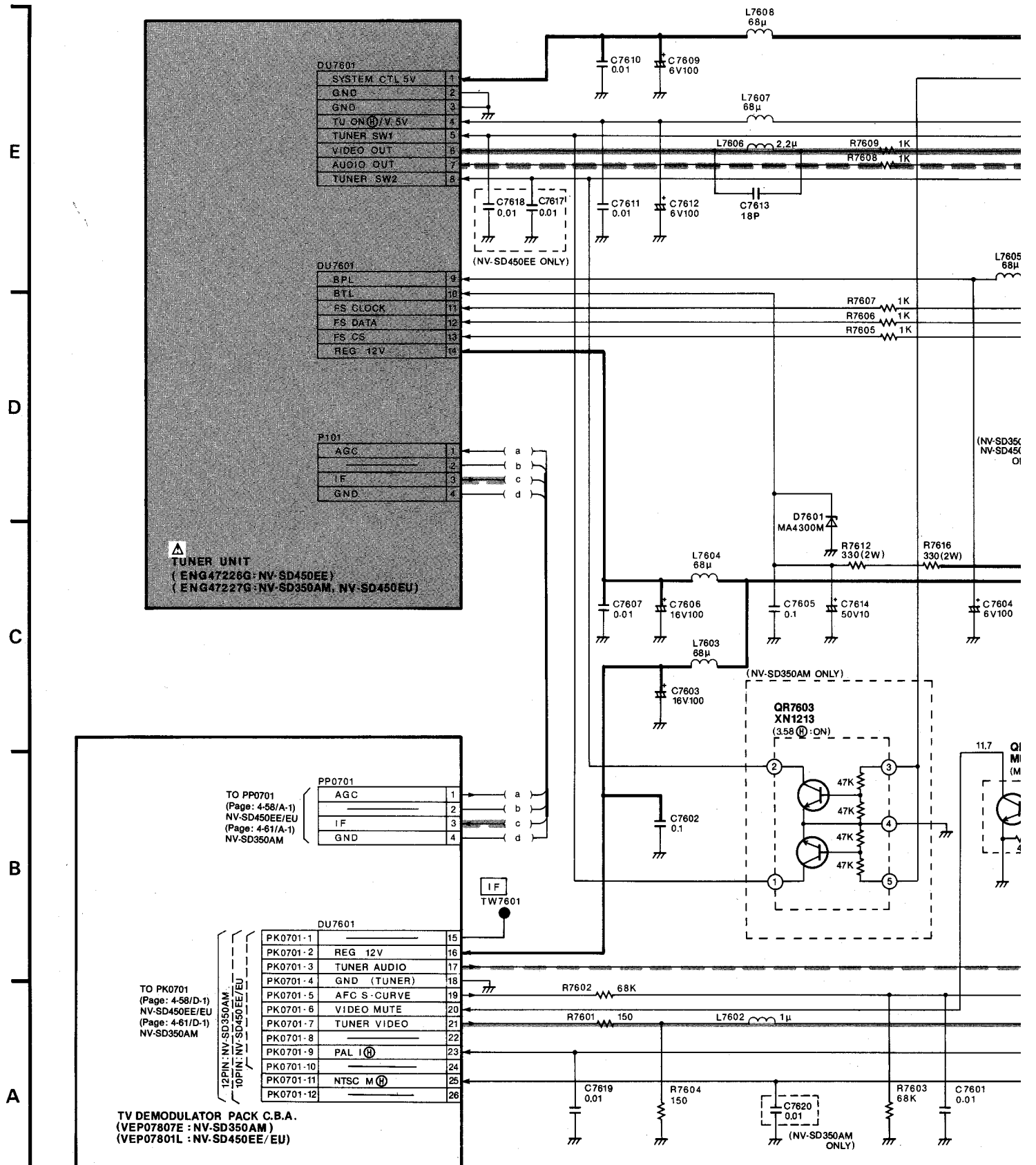


NOTE: DO NOT USE ANY PART NUMBER SHOWN ON THIS SCHEMATIC DIAGRAM FOR ORDERING. WHEN YOU ORDER A PART, PLEASE REFER TO PARTS LIST.



# 4-8. RF SECTION IN MAIN SCHEMATIC DIAGRAM

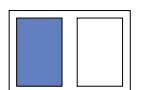
VIDEO MAIN SIGNAL PATH  
VIDEO MAIN SIGNAL PATH



**IMPORTANT SAFETY NOTICE:**  
COMPONENTS IDENTIFIED WITH THE MARK HAVE THE SPECIAL CHARACTERISTICS FOR SAFETY.  
WHEN REPLACING ANY OF THESE COMPONENTS, USE ONLY THE SAME TYPE.

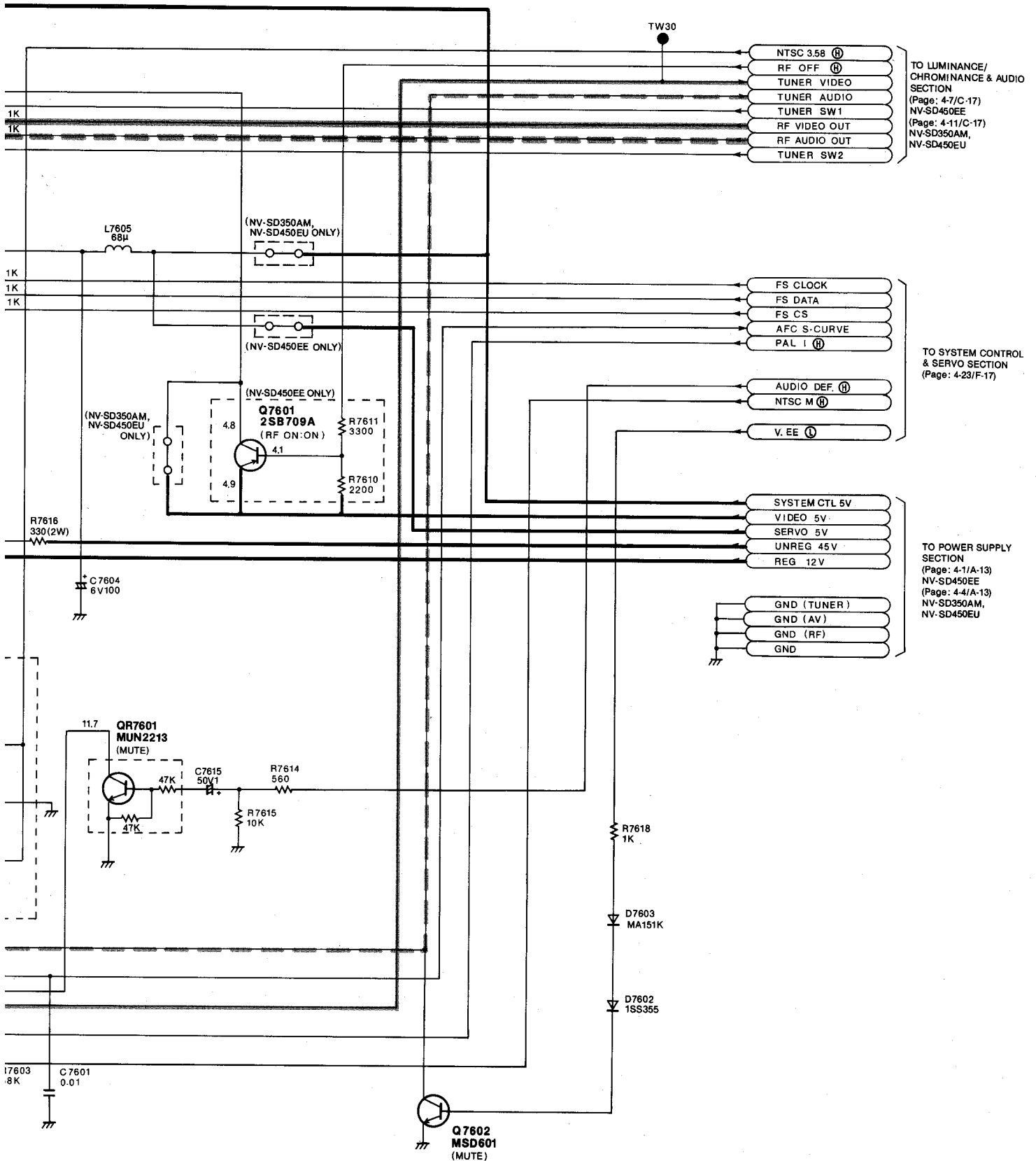
NOTE: THE MEASUREMENT MODE OF THE DC VOL

1 2 3 4



IGNAL PATH IN REC MODE  
 IIGNAL PATH IN PLAYBACK MODE

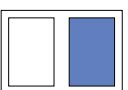
--- AUDIO MAIN SIGNAL PATH IN REC MODE  
 --- AUDIO MAIN SIGNAL PATH IN PLAYBACK MODE



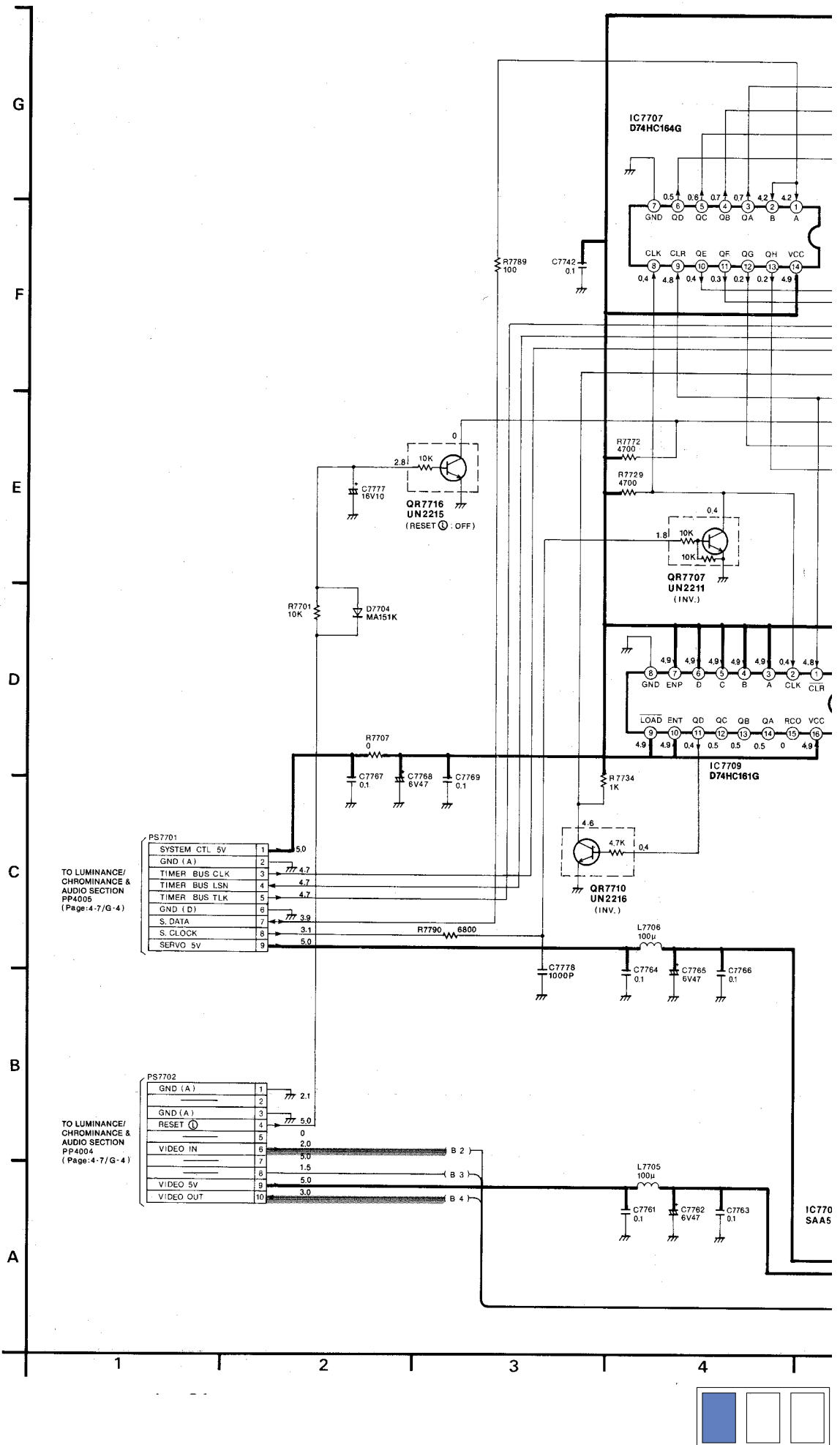
MODE OF THE DC VOLTAGE ON THIS DIAGRAM IS STOP MODE.

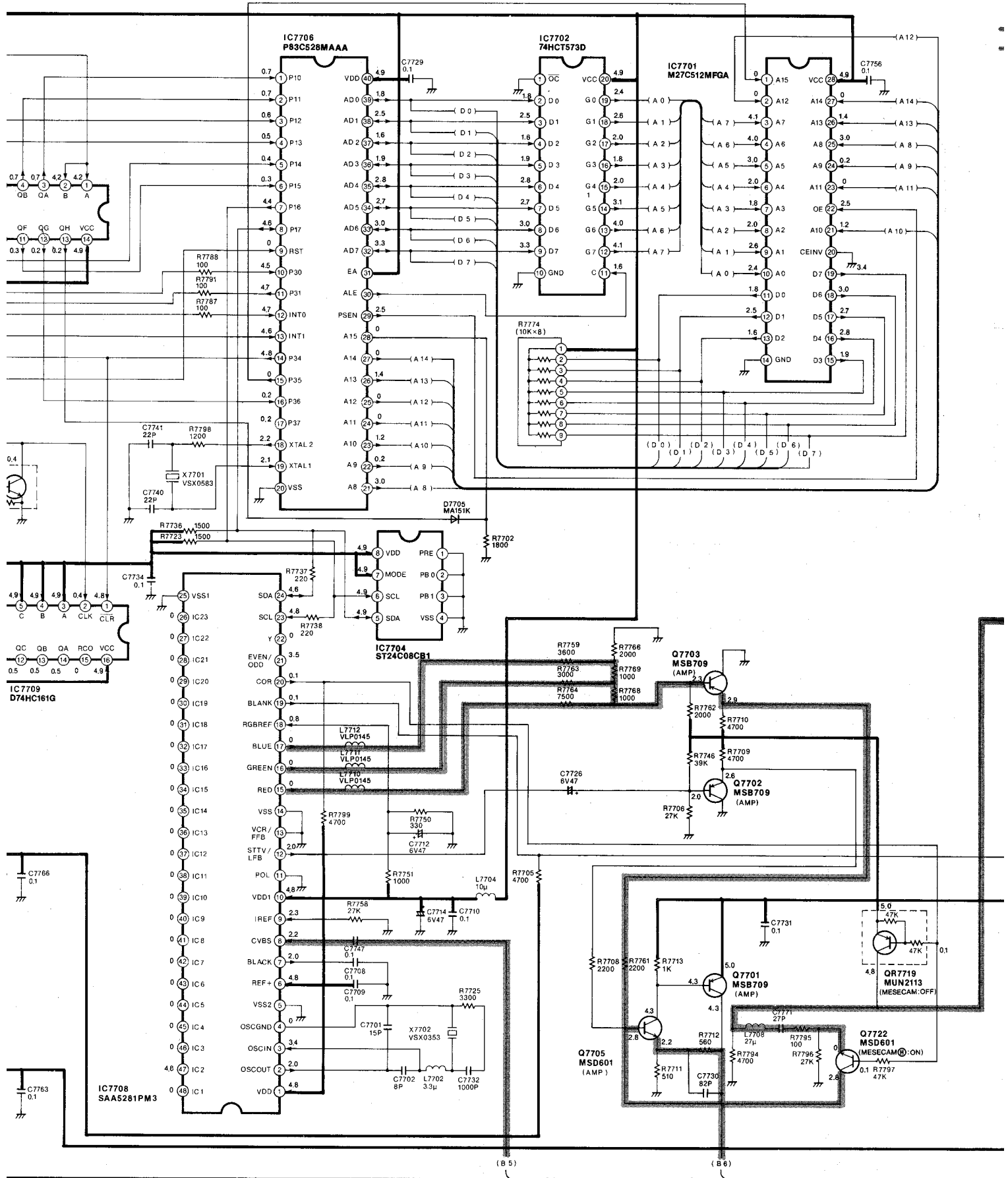
NOTE: DO NOT USE ANY PART NUMBER SHOWN ON THIS SCHEMATIC DIAGRAM FOR ORDERING. WHEN YOU ORDER A PART, PLEASE REFER TO PARTS LIST.

5 | 6 | 7 | 8

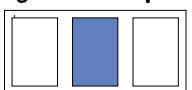


# 4-10. OSD PACK SCHEMATIC DIAGRAM (NV-SD450EE)



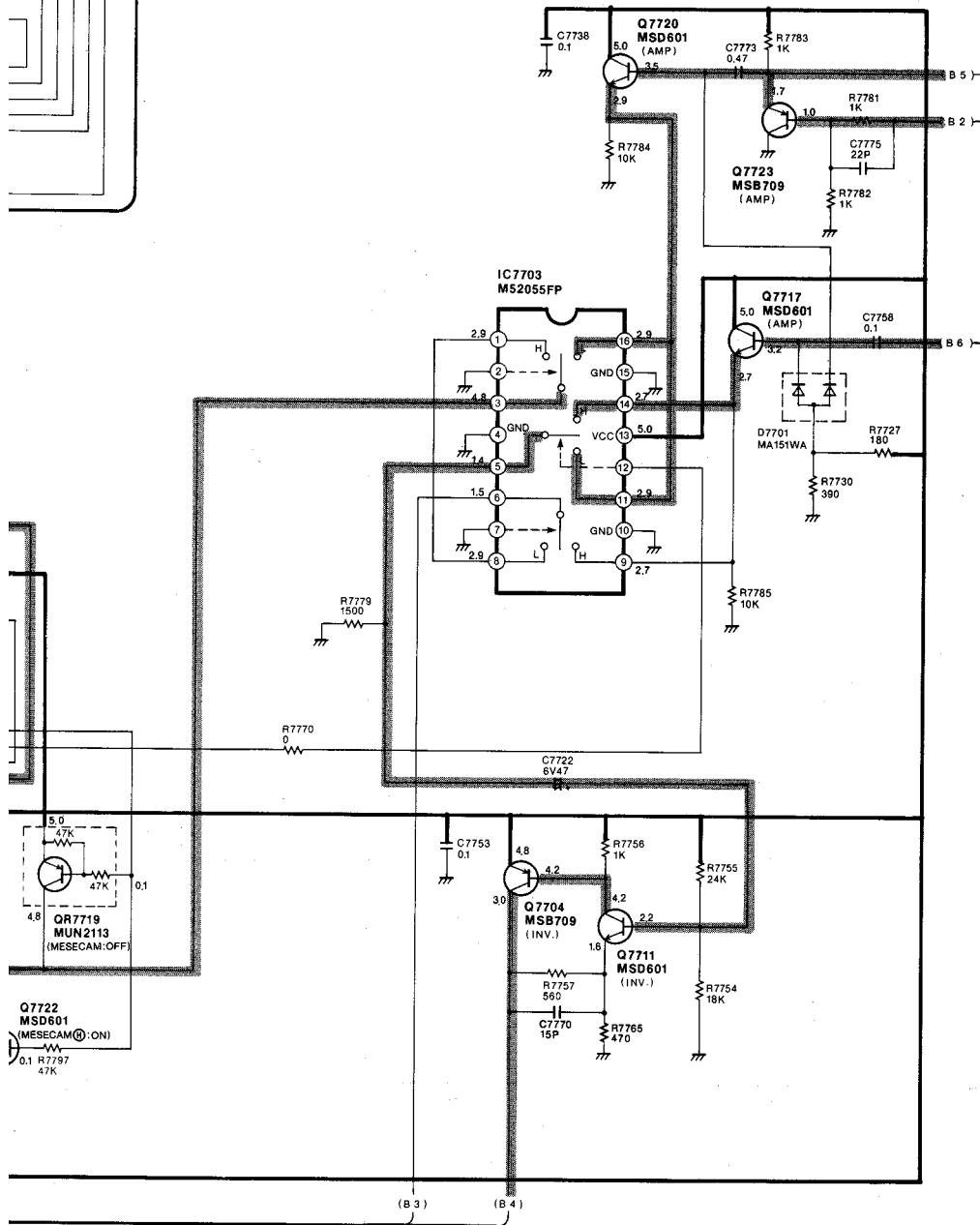
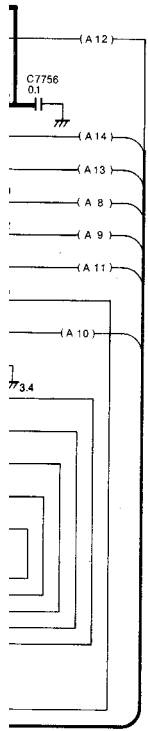


NOTE: THE MEASUREMENT MODE OF THE DC VOLTAGE ON THIS DIAGRAM IS STOP MODE.



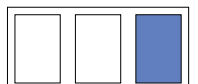


VIDEO MAIN SIGNAL PATH IN REC MODE  
 VIDEO MAIN SIGNAL PATH IN PLAYBACK MODE

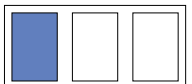
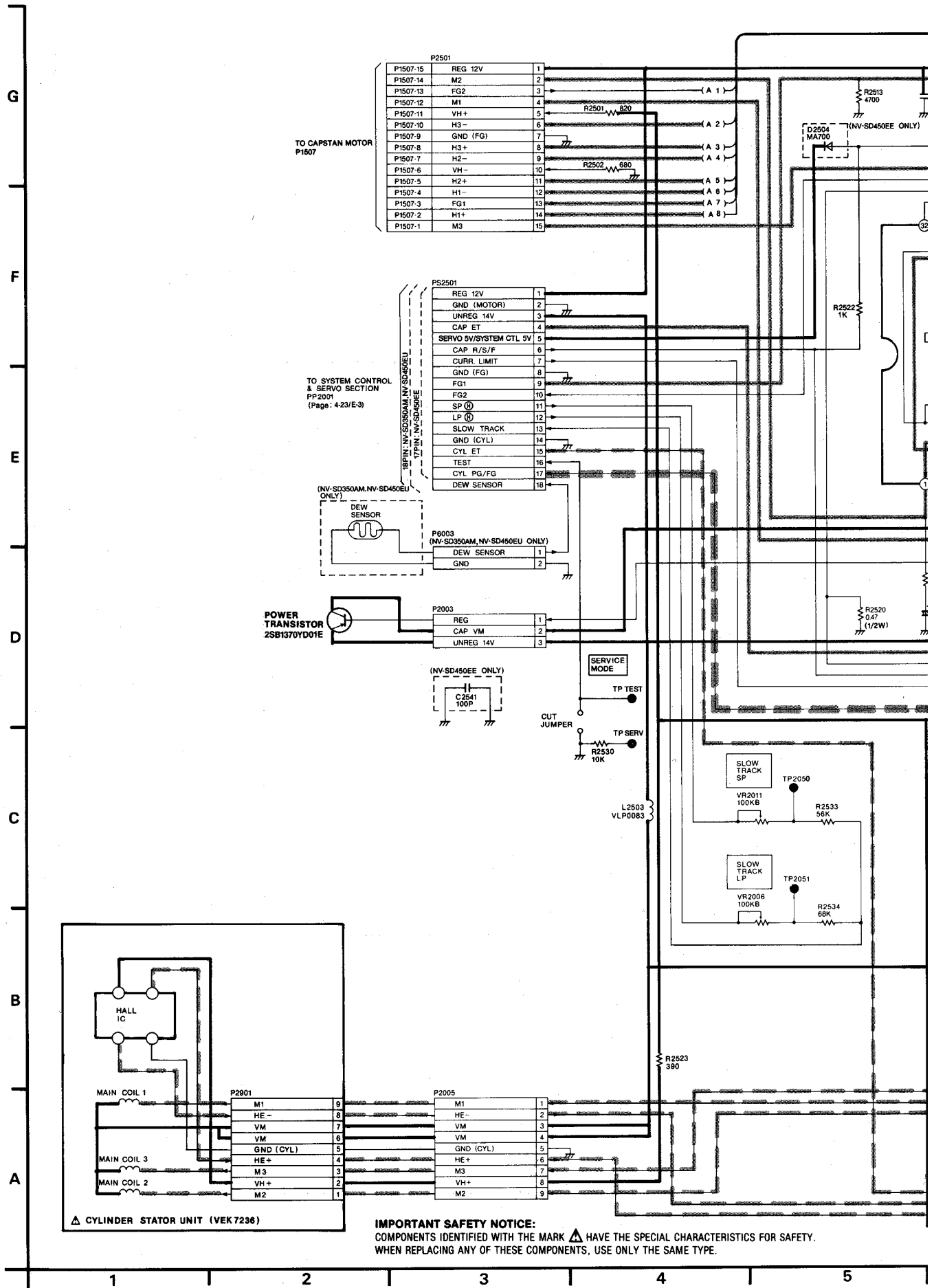


NOTE: DO NOT USE ANY PART NUMBER SHOWN ON THIS SCHEMATIC DIAGRAM FOR ORDERING. WHEN YOU ORDER A PART, PLEASE REFER TO PARTS LIST.

9 | 10 | 11 | 12 | 13



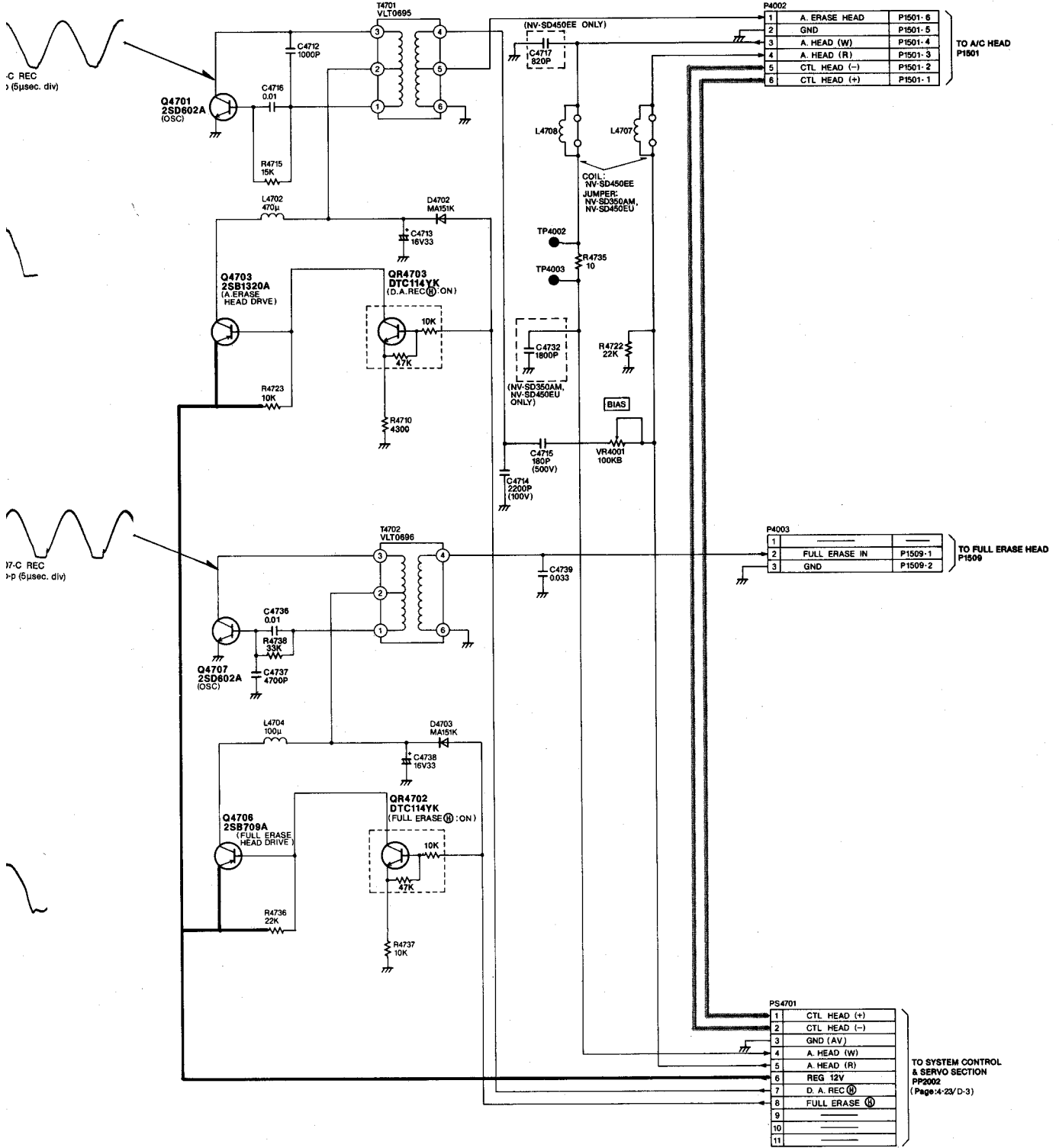
# 4-11. MOTOR DRIVE & SUB AUDIO PACK SCHEMATIC DIAGRAM



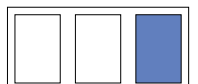


**CAPSTAN SERVO SPEED LOOP  
CYLINDER SERVO SPEED LOOP**

**CAPSTAN SERVO PHASE LOOP  
CYLINDER SERVO PHASE LOOP**



NOTE: DO NOT USE ANY PART NUMBER SHOWN ON THIS SCHEMATIC DIAGRAM FOR ORDERING. WHEN YOU ORDER A PART, PLEASE REFER TO PARTS LIST.



### MOTOR DRIVE & SUB AUDIO PACK ICs DC VOLTAGE CHART (SP MODE)

REF. NO.	IC2501																			
MODE	1	2	3	4	5	6	7	8	9	10	11	12	13	14	15	16	17	18	19	20
STOP	0.6	4.4	0.6	13.2	0.1	13.9	0	4.5	0.7	2.8	0.2	0.4	0	4.9	1.5	0	2.3	2.3	2.3	2.2
PLAY	2.6	4.3	2.6	12.4	1.9	13.6	0	0.7	0.7	2.8	2.5	0.4	0.1	4.9	1.5	0	2.3	2.3	2.3	2.3
REC	2.7	4.3	2.7	12.4	2.0	13.6	0	0.7	0.7	2.8	2.5	0.4	0.1	5.0	1.5	0	2.3	2.3	2.3	2.3
F.F	7.5	13.4	7.5	4.3	11.6	13.5	0.1	0.8	0.8	2.8	2.0	0.5	0.2	4.9	1.5	0	2.3	2.3	2.3	2.3
REW	7.0	13.5	7.0	6.9	11.7	13.6	0	0.7	0.8	2.8	2.3	0.5	0.1	4.9	1.5	0	2.3	2.3	2.3	2.3
REF. NO.	IC2501																			
MODE	21	22	23	24	25	26	27	28	29	30	31	32								
STOP	2.2	2.3	0	6.3	6.3	6.3	6.3	12.3	2.0	0.6	0	0								
PLAY	2.3	2.3	0	6.3	6.3	6.3	6.3	12.3	0	2.6	0	0								
REC	2.3	2.3	0	6.3	6.3	6.3	6.3	12.3	0	2.6	0.1	0								
F.F	2.3	2.3	0	6.3	6.3	6.3	6.3	12.3	0	7.5	0.2	0								
REW	2.3	2.3	0	6.3	6.3	6.3	6.3	12.3	4.9	7.4	0.2	0								
REF. NO.	IC2502																			
MODE	1	2	3	4	5	6	7	8	9	10	11	12	13	14	15	16	17	18		
STOP	13.1	13.1	0.1	0.6	0	2.5	2.4	1.1	1.0	2.6	4.9	3.7	3.6	3.7	1.1	13.8	13.3	0.1		
PLAY	13.8	12.8	0.2	0.6	0	2.5	2.4	1.1	1.0	2.7	4.9	3.7	3.7	3.7	1.1	13.6	13.7	0.2		
REC	13.7	13.7	0.2	0.6	0	2.5	2.4	1.1	1.0	2.7	4.9	3.8	3.7	3.7	1.1	13.6	13.7	0.2		
F.F	13.8	13.8	0.1	0.6	0	2.5	2.4	1.1	1.0	2.7	4.9	3.8	3.7	3.7	1.1	13.5	13.7	0.1		
REW	13.8	13.8	0.2	0.6	0	2.5	2.4	1.1	1.0	2.7	4.9	3.7	3.7	3.7	1.1	13.5	13.7	0.2		

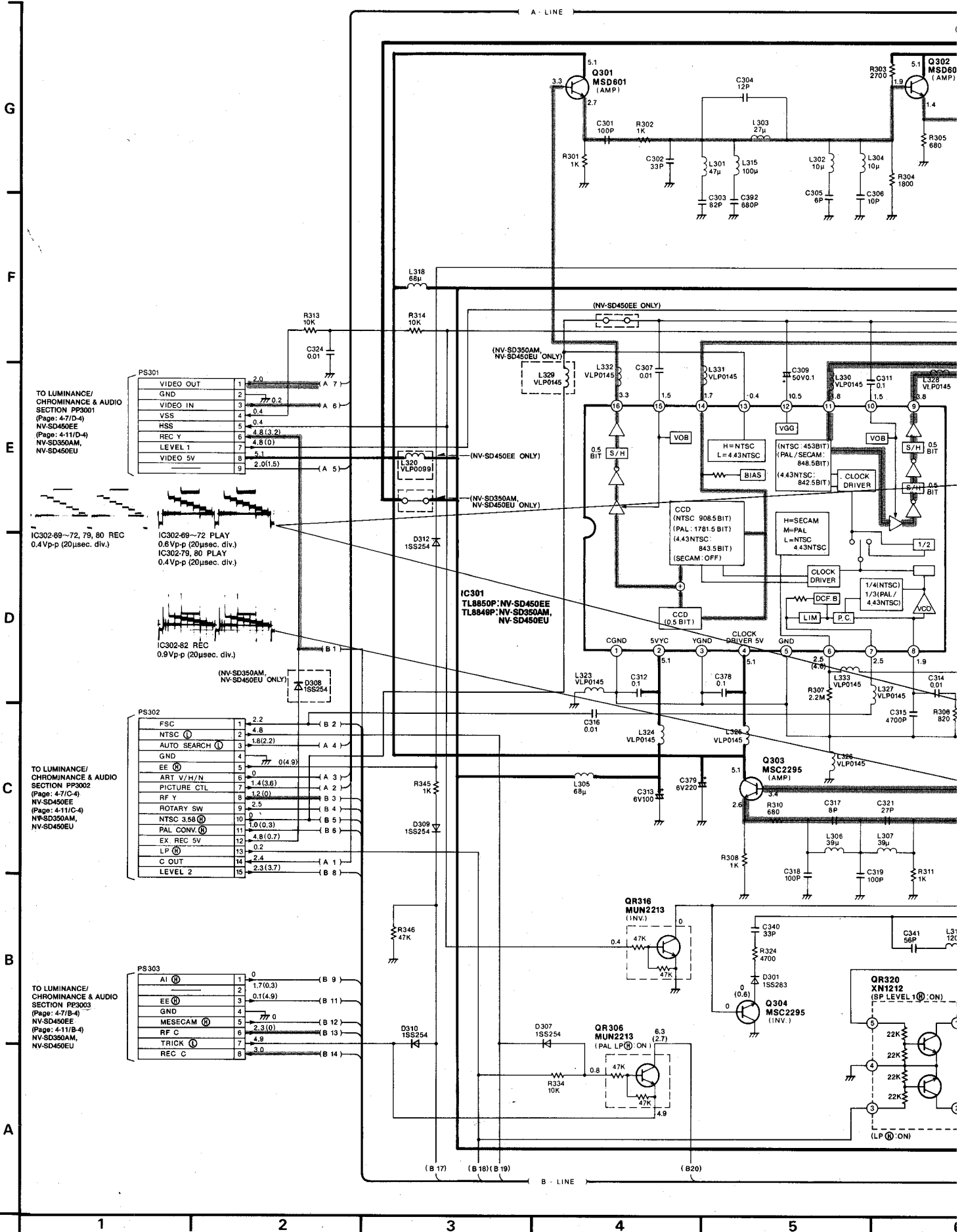
### MOTOR DRIVE & SUB AUDIO PACK PINS DC VOLTAGE CHART (SP MODE)

REF. NO.	PS2501																			
MODE	1	2	3	4	5	6	7	8	9	10	11	12	13	14	15	16	17			
STOP	12.3	0	13.8	0.2	4.9	2.0	4.9	0	6.3	6.3	4.4	0	0	0	2.4	5.0	1.1			
PLAY	12.3	0	13.6	2.5	4.9	0	4.9	0	6.3	6.3	4.4	0	0	0	2.4	4.9	1.1			
REC	12.3	0	13.6	2.5	4.9	0	4.9	0	6.3	6.3	4.4	0	0	0	2.4	4.9	1.1			
F.F	12.3	0	13.5	2.1	4.9	0	4.9	0	6.3	6.3	4.4	0	0	0	2.4	4.9	1.1			
REW	12.3	0	13.5	2.1	4.9	4.9	4.9	0	6.3	6.3	4.4	0	0	0	2.4	4.9	1.1			
REF. NO.	PS4701																			
MODE	1	2	3	4	5	6	7	8	9	10	11									
STOP	0	0	0	0	0	12.3	0	0	0	4.9	0									
PLAY	0	0	0	0	0	12.3	0	0	0	4.9	0									
REC	3.5	3.5	0	0	0	12.3	4.9	4.7	0	4.9	0									
F.F	0	0	0	0	0	12.3	0	0	0	4.9	0									
REW	0	0	0	0	0	12.3	0	0	0	4.9	0									

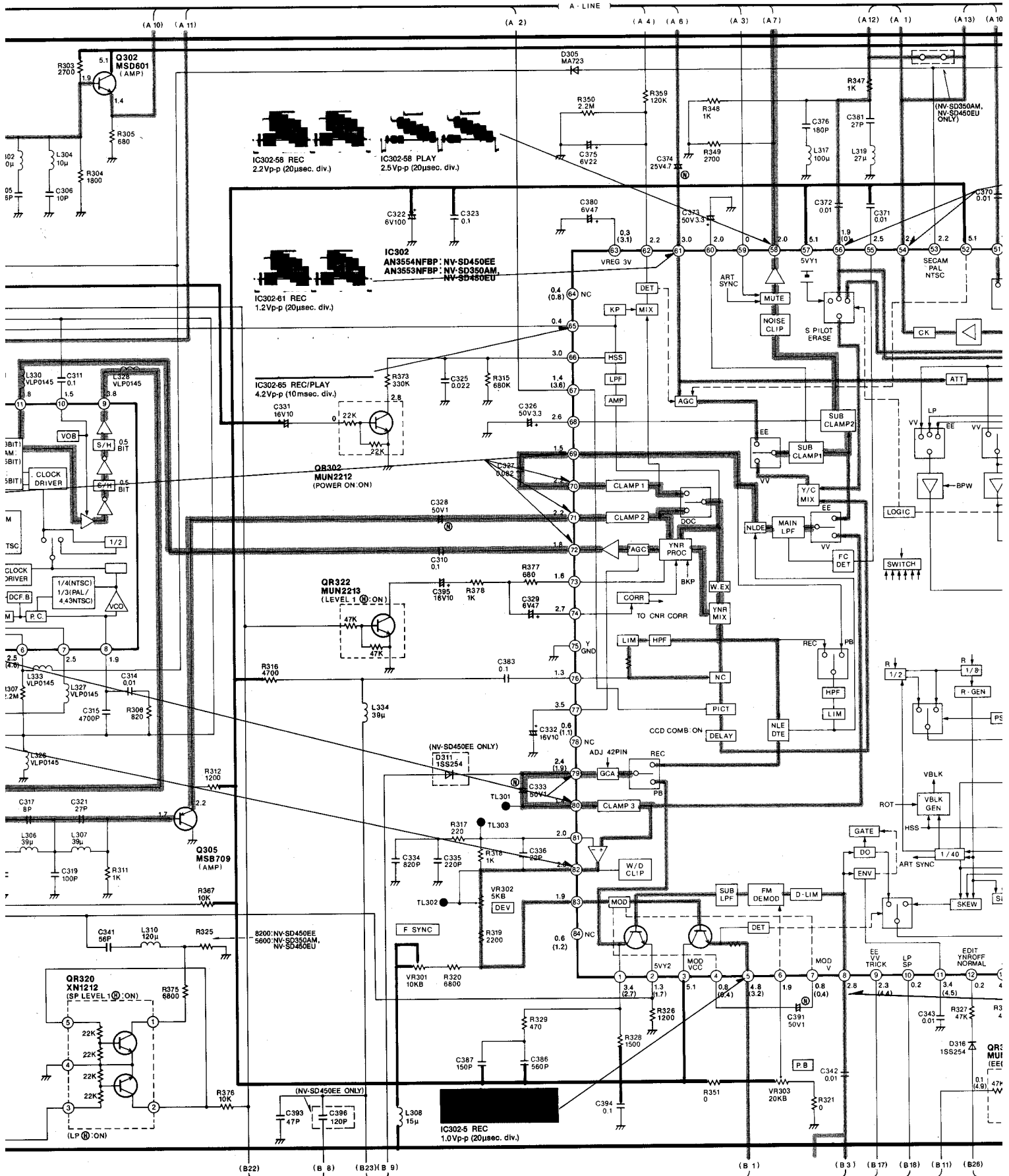
### MOTOR DRIVE & SUB AUDIO PACK TR.s DC VOLTAGE CHART (SP MODE)

REF. NO.	Q4701			Q4703			Q4706			Q4707					
MODE	E	C	B	E	C	B	E	C	B	E	C	B			
STOP	0	0.2	0.2	12.3	0.3	12.3	12.5	0.4	12.5	0	0.4	0.3			
PLAY	0	0.3	0.3	12.3	0.3	12.3	12.5	0.4	12.5	0	0.4	0.3			
REC	0	11.3	-1.4	12.3	11.9	11.9	12.5	12.5	11.7	0	12.2	0			
F.F	0	0.3	0.3	12.3	0.3	12.3	12.5	0.4	12.5	0	0.4	0.3			
REW	0	0.3	0.3	12.3	0.3	12.3	12.5	0.4	12.5	0	0.4	0.3			
REF. NO.	QR4702			QR4703											
MODE	E	C	B	E	C	B									
STOP	0	12.5	0	0	12.3	0									
PLAY	0	12.5	0	0	12.3	0									
REC	3.6	11.7	4.7	4.1	11.5	4.9									
F.F	0	12.5	0	0	12.3	0									
REW	0	12.5	0	0	12.3	0									

# 4-13. LUMINANCE & CHROMINANCE PACK SCHEMATIC DIAGRAM



# RAM



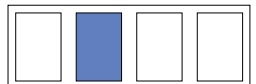
6

7

8

9

10

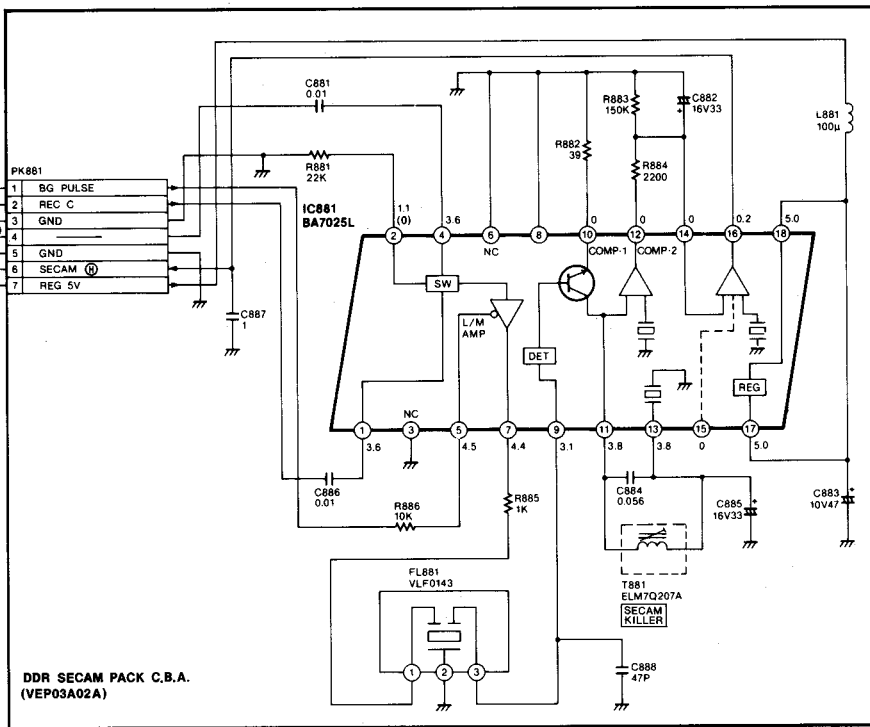
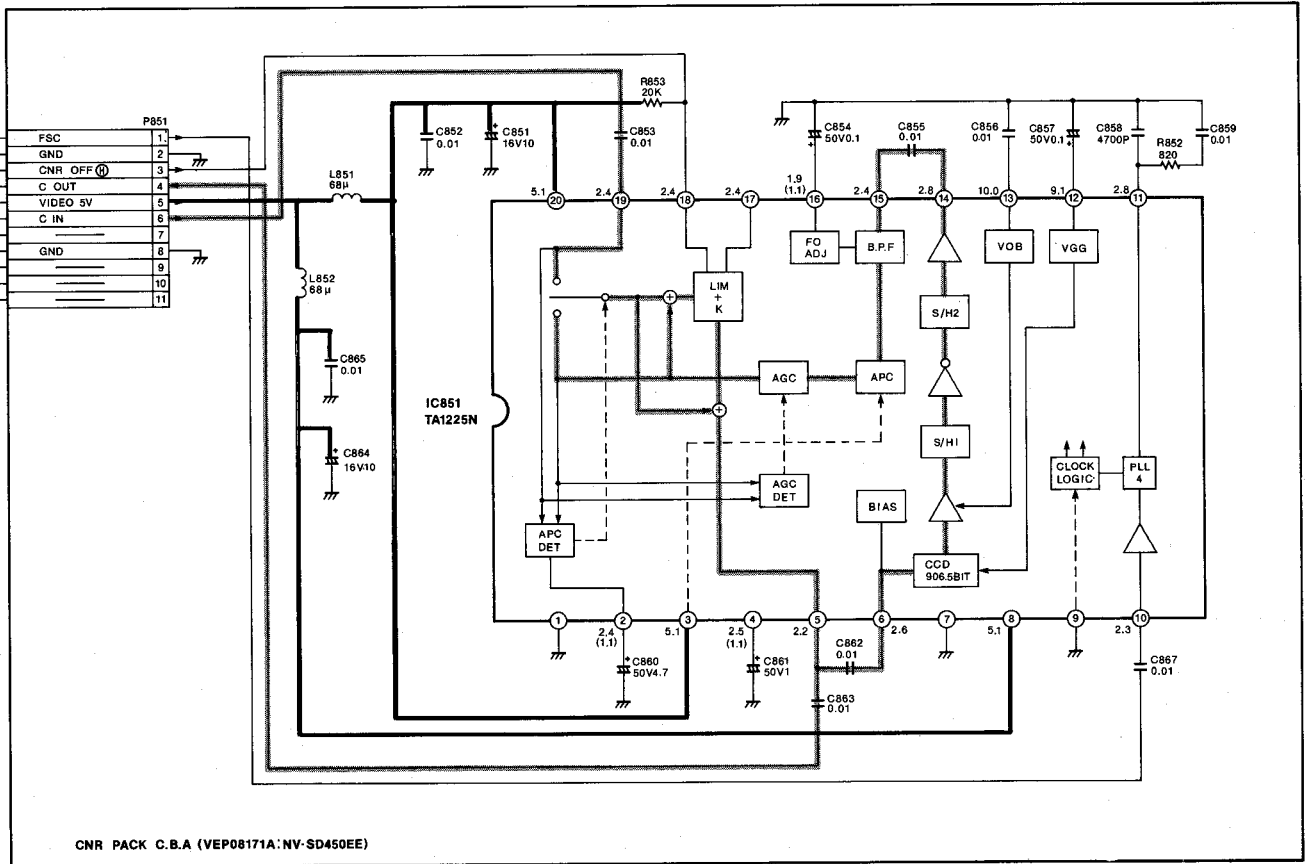






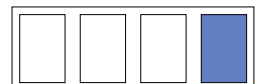
MAIN SIGNAL PATH IN REC MODE

MAIN SIGNAL PATH IN PLAYBACK MODE

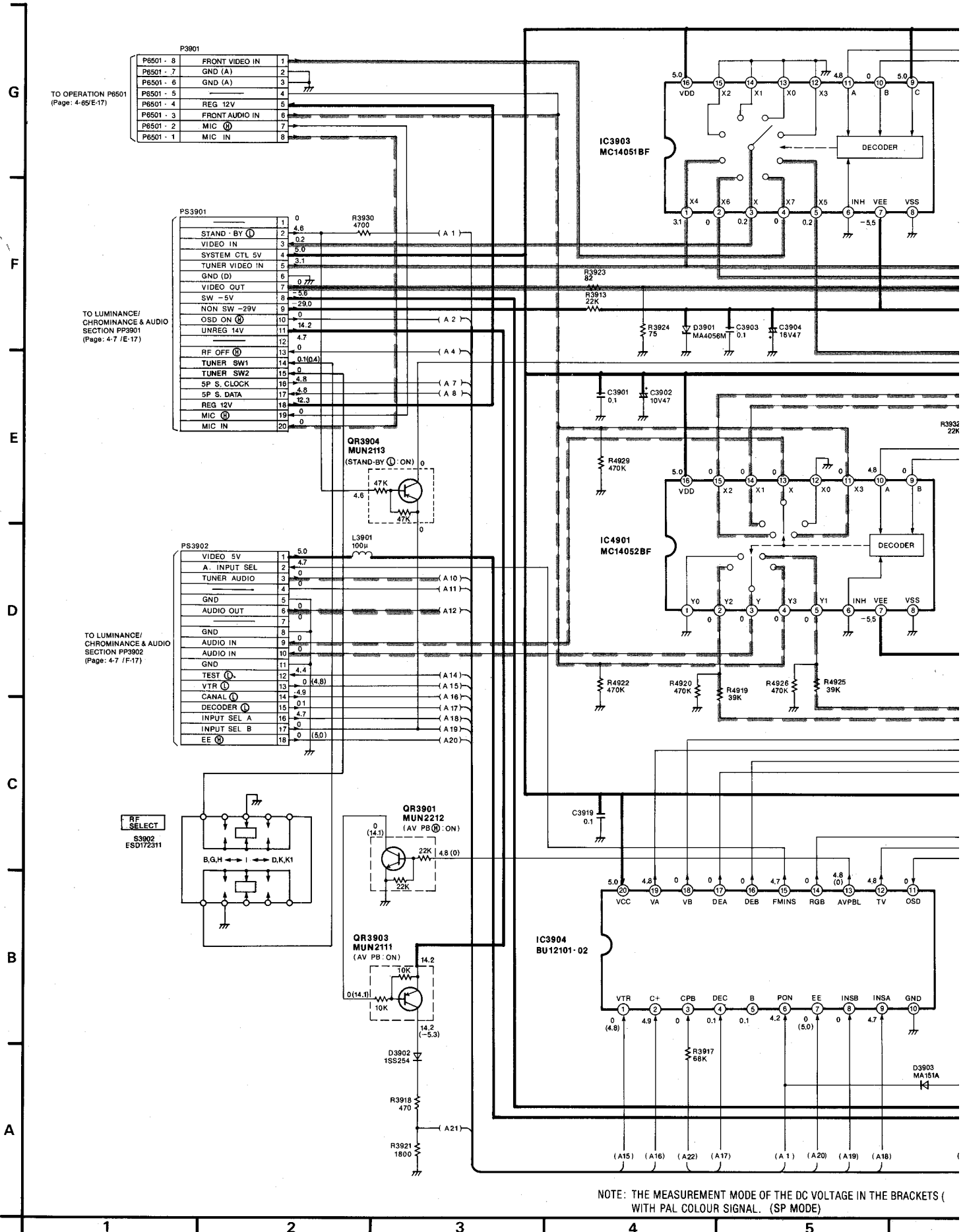


MEASUREMENT MODE OF THE DC VOLTAGE IN THE BRACKETS ( ) ON THIS DIAGRAM IS RECORD MODE  
 AL COLOUR SIGNAL. (SP MODE)  
 MEASUREMENT MODE OF THE DC VOLTAGE OUT OF THE BRACKETS ON THIS DIAGRAM IS PLAYBACK MODE  
 AL COLOUR SIGNAL. (SP MODE)

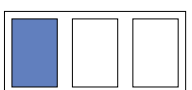
NOTE: DO NOT USE ANY PART NUMBER SHOWN ON THIS SCHEMATIC DIAGRAM FOR ORDERING. WHEN YOU ORDER A PART, PLEASE REFER TO PARTS LIST.



# 4-15. INPUT/OUTPUT PACK SCHEMATIC DIAGRAM (NV-SD450EE)

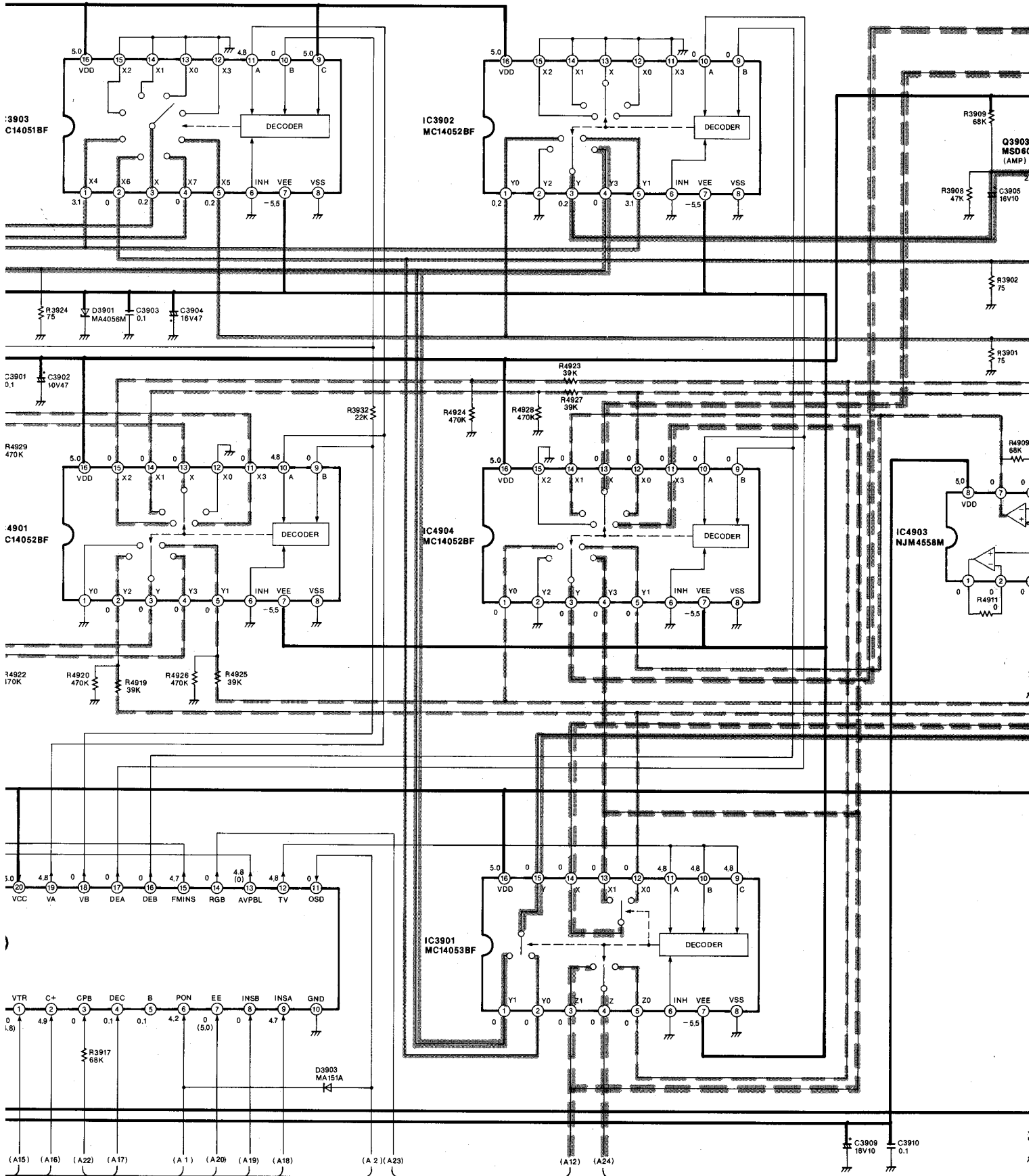


NOTE: THE MEASUREMENT MODE OF THE DC VOLTAGE IN THE BRACKETS ( WITH PAL COLOUR SIGNAL. (SP MODE)



# RAM (NV-SD450EE)

## VIDEO MAIN SIGNAL PATH IN REC MODE VIDEO MAIN SIGNAL PATH IN PLAYBACK MODE



TE: THE MEASUREMENT MODE OF THE DC VOLTAGE IN THE BRACKETS ( ) ON THIS DIAGRAM IS RECORD MODE WITH PAL COLOUR SIGNAL. (SP MODE)

THE MEASUREMENT MODE OF THE DC VOLTAGE OUT OF THE BRACKETS ON THIS DIAGRAM IS WITH PAL COLOUR SIGNAL. (SP MODE)

4

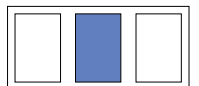
5

6

7

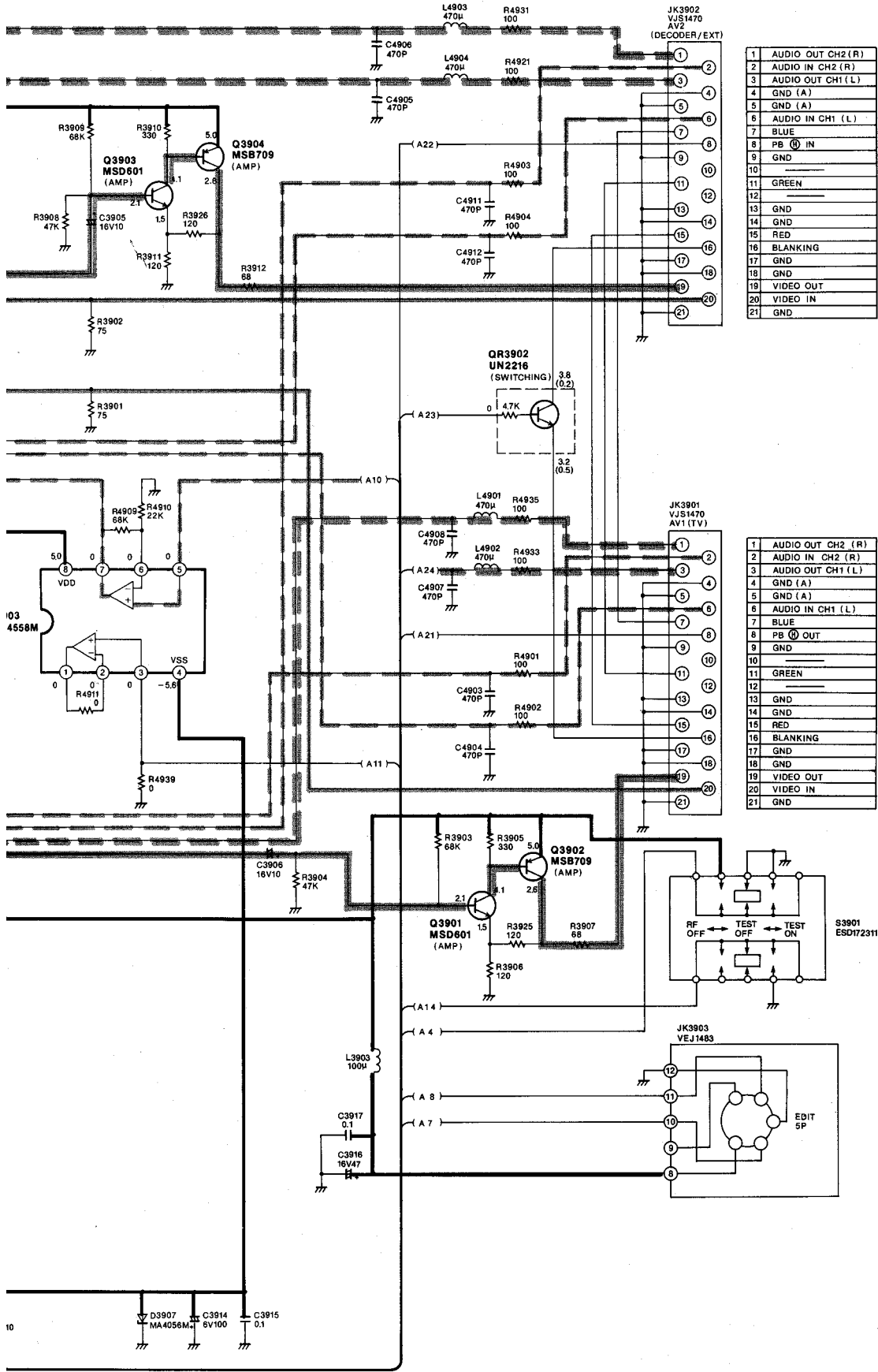
8

9



ODE  
BACK MODE

AUDIO MAIN SIGNAL PATH IN REC MODE  
AUDIO MAIN SIGNAL PATH IN PLAYBACK MODE



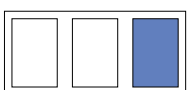
1	AUDIO OUT CH2 (R)
2	AUDIO IN CH2 (R)
3	AUDIO OUT CH1 (L)
4	GND (A)
5	GND (A)
6	AUDIO IN CH1 (L)
7	BLUE
8	PB (IN)
9	GND
10	
11	GREEN
12	
13	GND
14	GND
15	RED
16	BLANKING
17	GND
18	GND
19	VIDEO OUT
20	VIDEO IN
21	GND

1	AUDIO OUT CH2 (R)
2	AUDIO IN CH2 (R)
3	AUDIO OUT CH1 (L)
4	GND (A)
5	GND (A)
6	AUDIO IN CH1 (L)
7	BLUE
8	PB (OUT)
9	GND
10	
11	GREEN
12	
13	GND
14	GND
15	RED
16	BLANKING
17	GND
18	GND
19	VIDEO OUT
20	VIDEO IN
21	GND

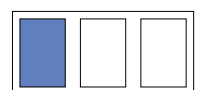
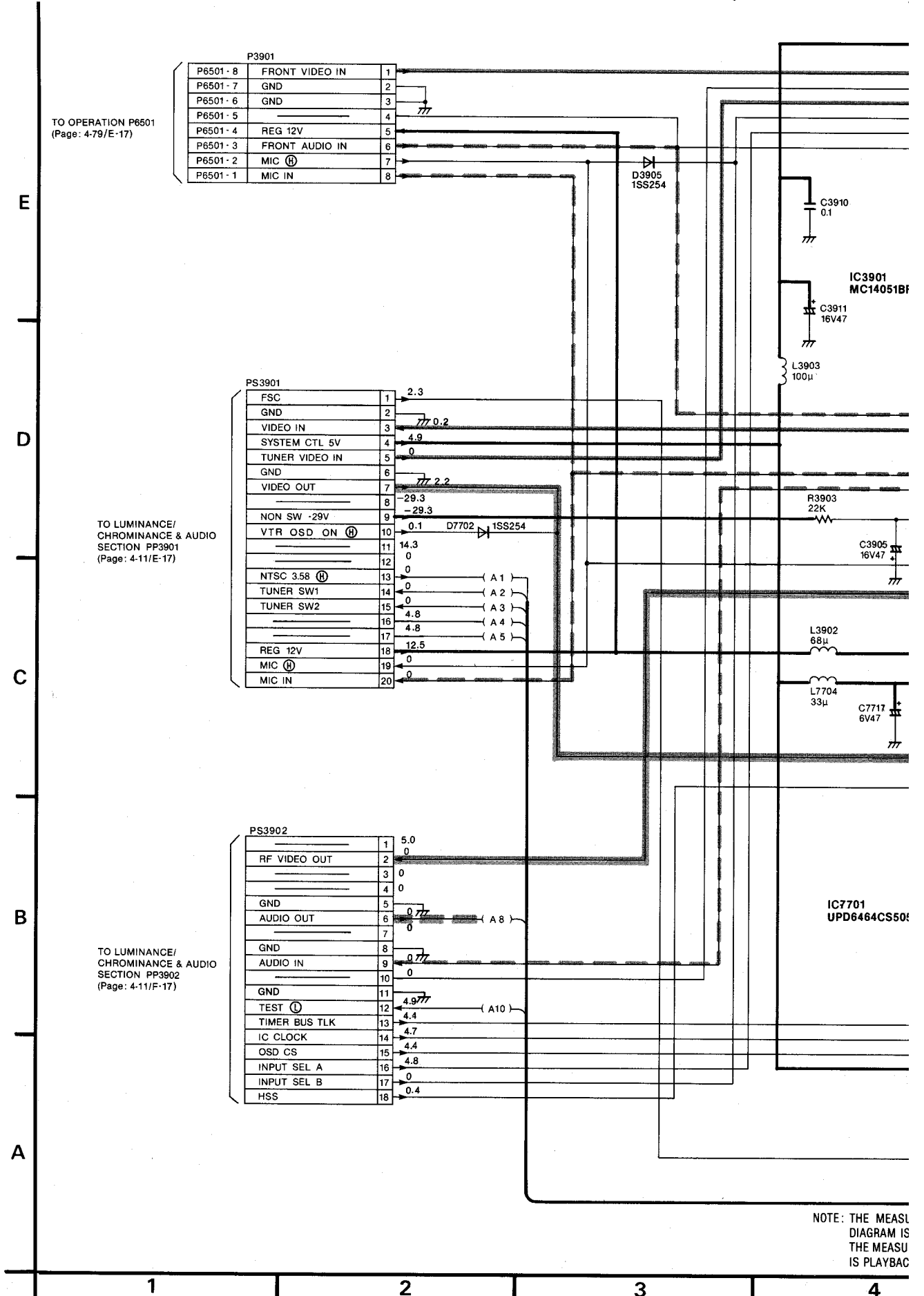
NETS ON THIS DIAGRAM IS PLAYBACK MODE

NOTE: DO NOT USE ANY PART NUMBER SHOWN ON THIS SCHEMATIC DIAGRAM FOR ORDERING. WHEN YOU ORDER A PART, PLEASE REFER TO PARTS LIST.

9 | 10 | 11 | 12 | 13

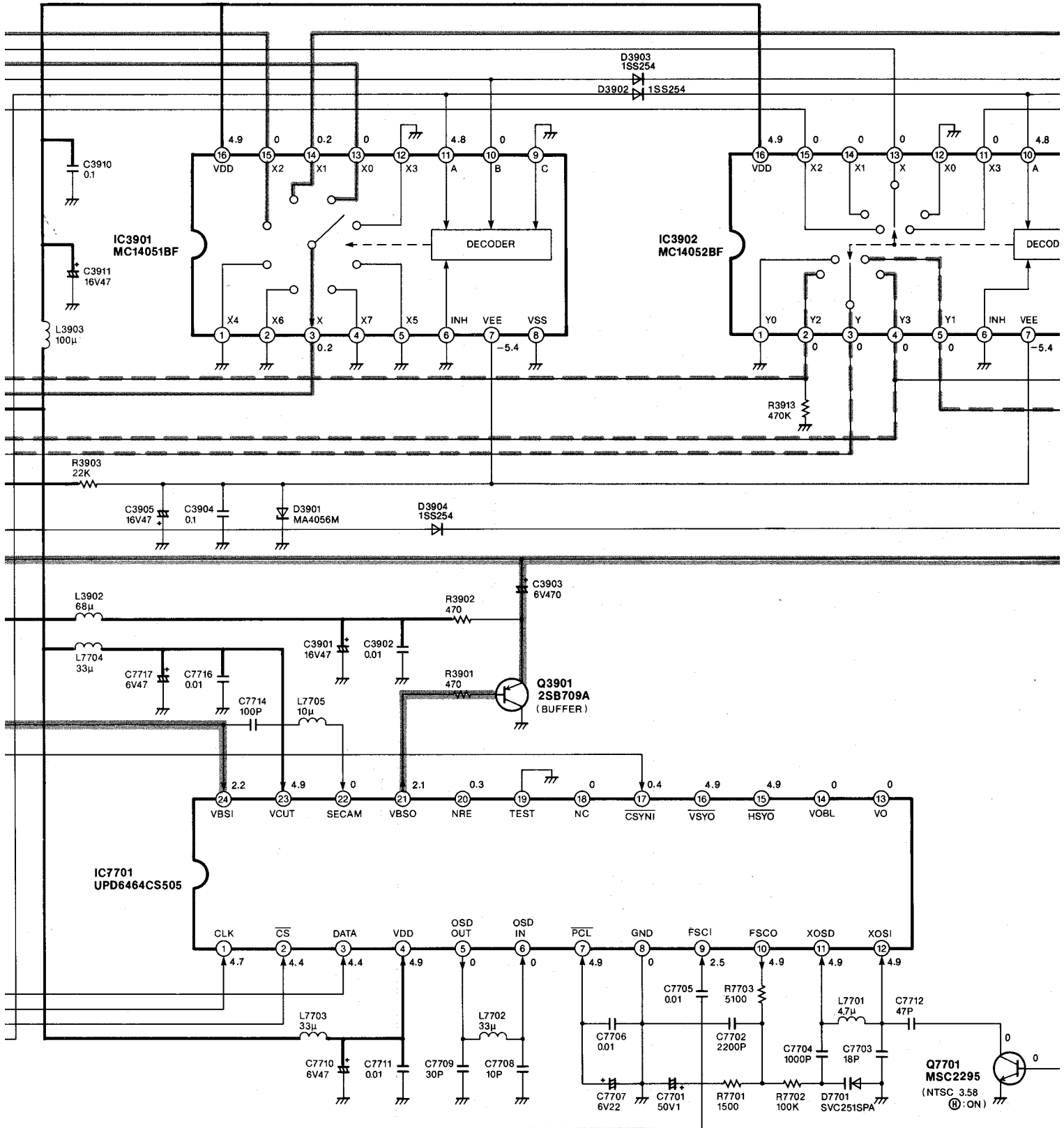


# 4-18. INPUT/OUTPUT PACK SCHEMATIC DIAGRAM (NV-SD350AM)



**NV-SD350AM, NV-SD450EU)**

**VIDEO MAIN SIGNAL PATH IN REC MODE**  
**VIDEO MAIN SIGNAL PATH IN PLAYBACK MODE**



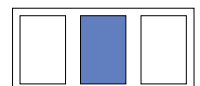
NOTE: THE MEASUREMENT MODE OF THE DC VOLTAGE IN THE BRACKETS ( ) ON THIS DIAGRAM IS RECORD MODE WITH PAL COLOUR SIGNAL. (SP MODE)  
 THE MEASUREMENT MODE OF THE DC VOLTAGE OUT OF THE BRACKETS ON THIS DIAGRAM IS PLAYBACK MODE WITH PAL COLOUR SIGNAL. (SP MODE)

4

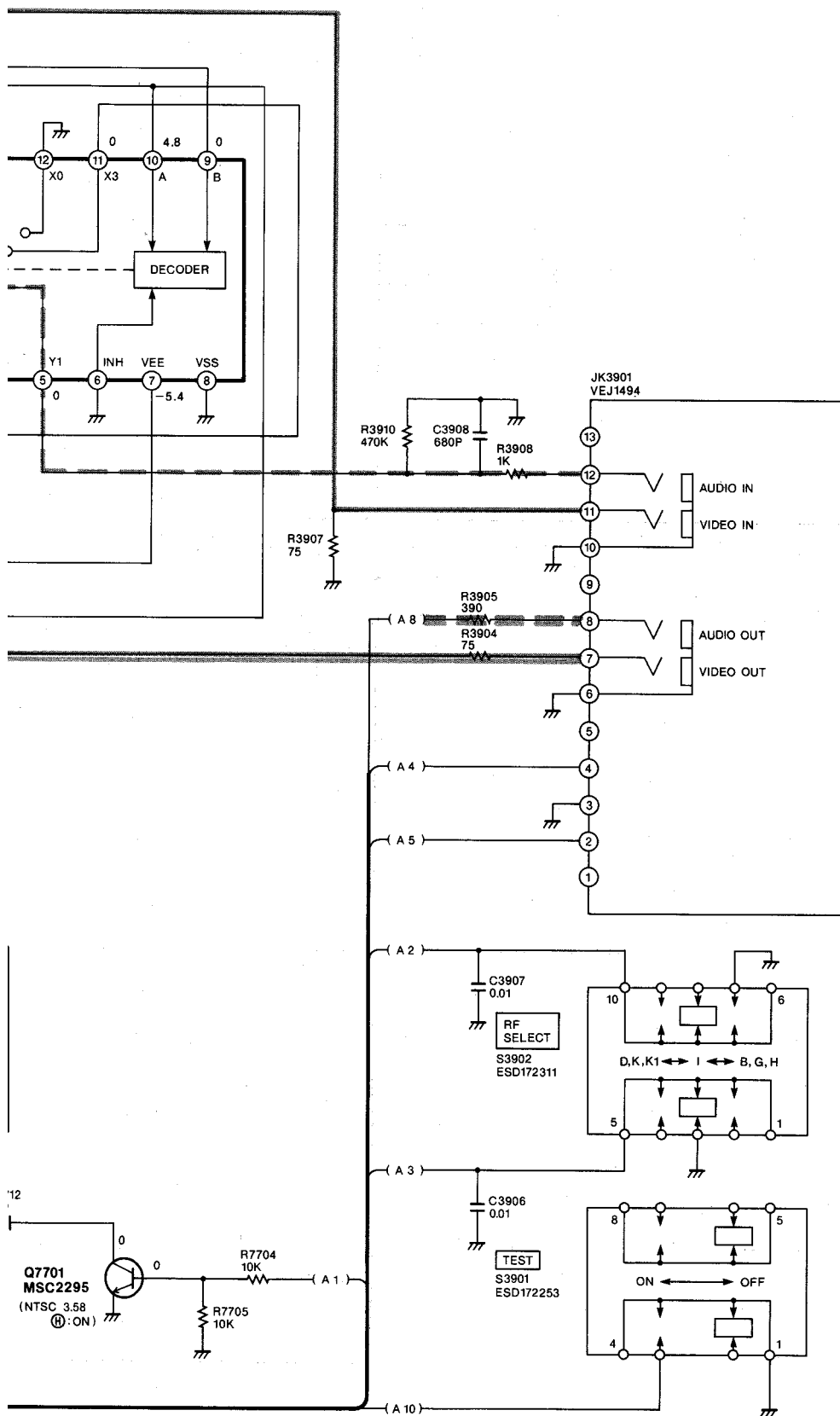
5

6

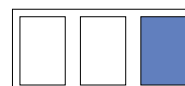
7



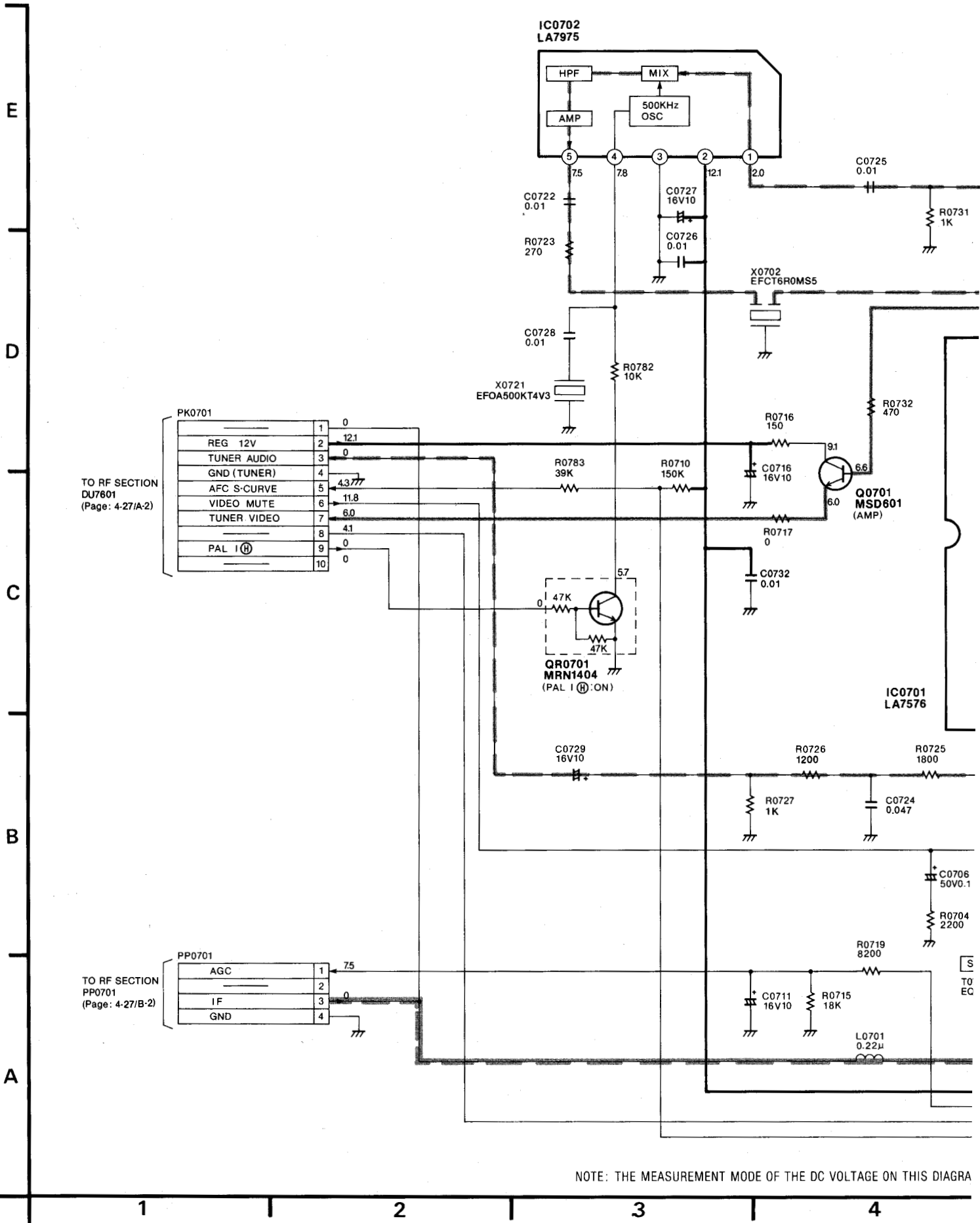
E  AUDIO MAIN SIGNAL PATH IN REC MODE  
 K MODE  AUDIO MAIN SIGNAL PATH IN PLAYBACK MODE



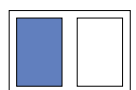
NOTE: DO NOT USE ANY PART NUMBER SHOWN ON THIS SCHEMATIC DIAGRAM FOR ORDERING. WHEN YOU ORDER A PART, PLEASE REFER TO PARTS LIST.



# 4-19. TV DEMODULATOR PACK SCHEMATIC DIAGRAM (NV-SD450EE/EU)



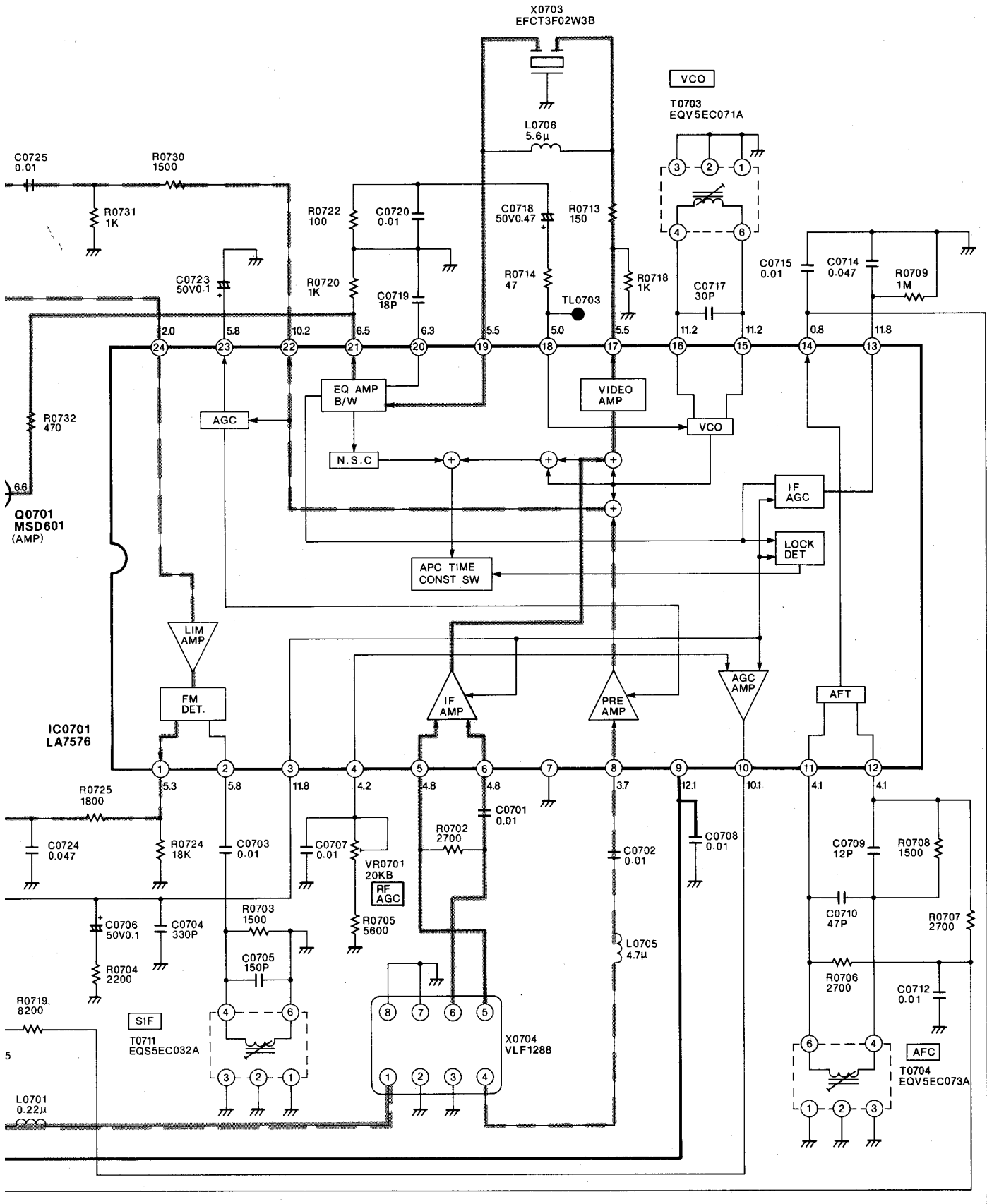
NOTE: THE MEASUREMENT MODE OF THE DC VOLTAGE ON THIS DIAGRA





EE/EU)

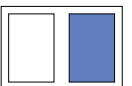
———— VIDEO MAIN SIGNAL PATH  
- - - - - AUDIO MAIN SIGNAL PATH



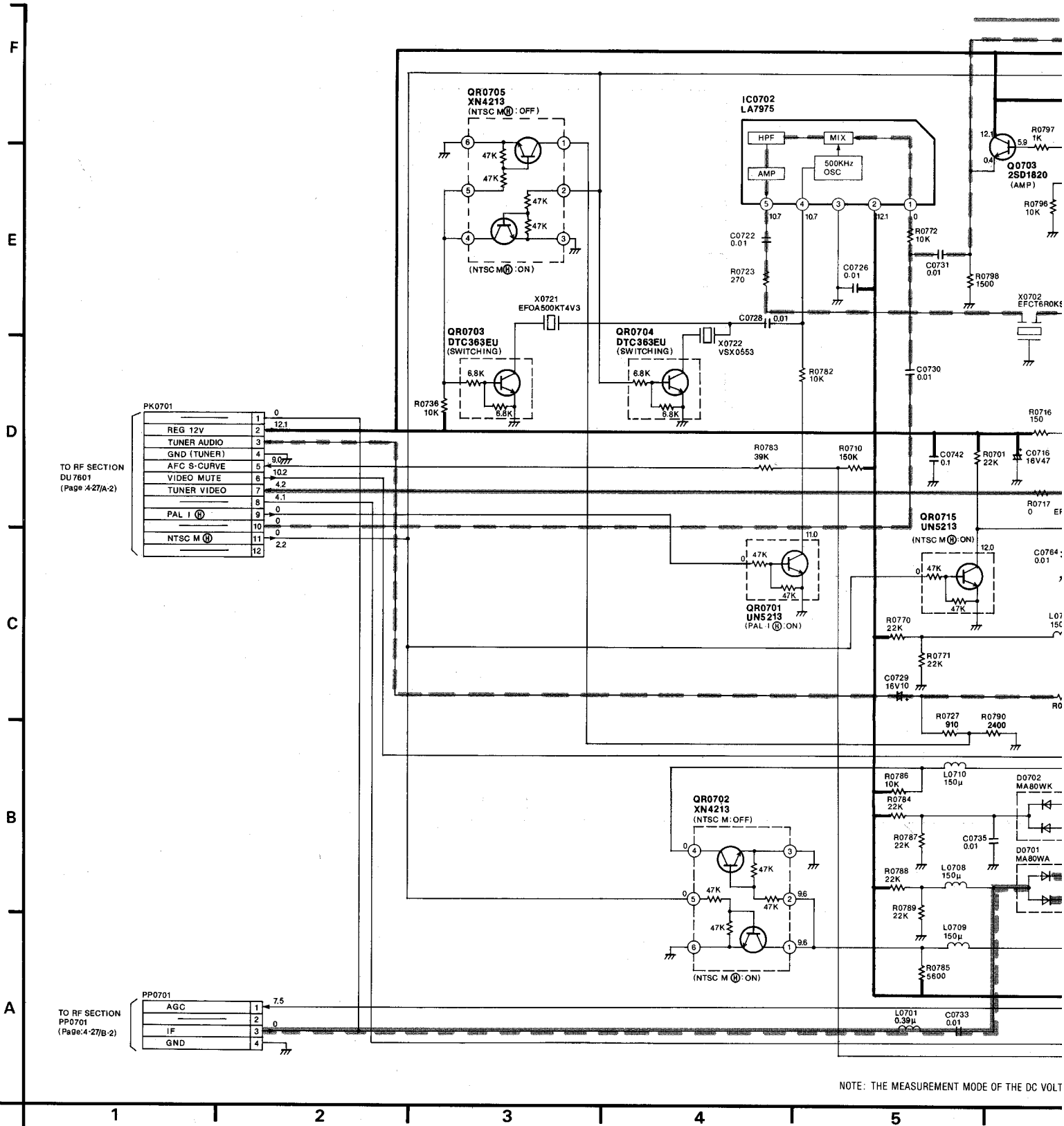
LTAGE ON THIS DIAGRAM IS STOP MODE.

NOTE: DO NOT USE ANY PART NUMBER SHOWN ON THIS SCHEMATIC DIAGRAM FOR ORDERING. WHEN YOU ORDER A PART, PLEASE REFER TO PARTS LIST.

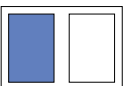
4 | 5 | 6 | 7 | 8



# 4-21. TV DEMODULATOR PACK SCHEMATIC DIAGRAM (NV-SD350AM)

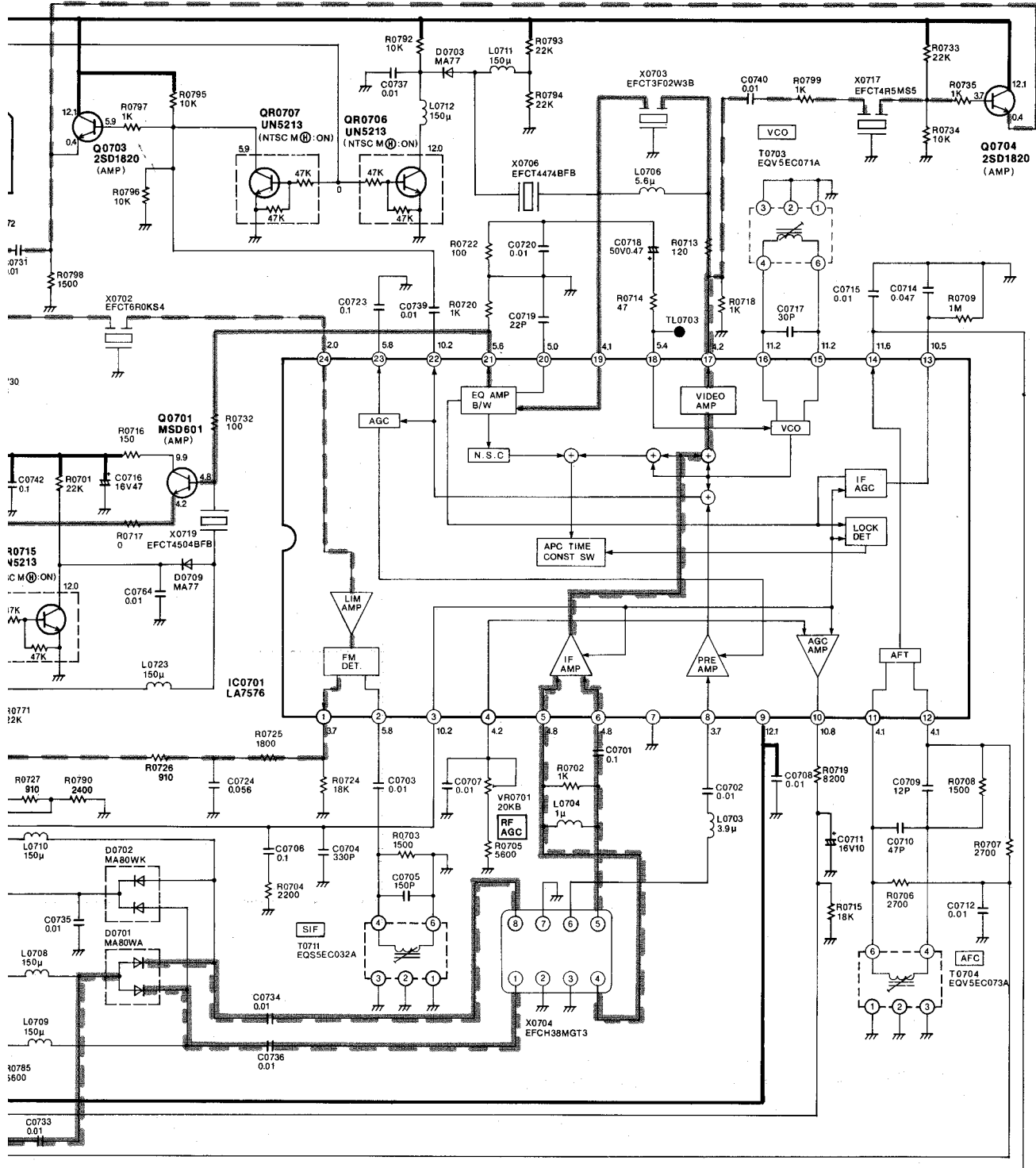


NOTE: THE MEASUREMENT MODE OF THE DC VOLT



VIDEO MAIN SIGNAL PATH

AUDIO MAIN SIGNAL PATH



EMENT MODE OF THE DC VOLTAGE ON THIS DIAGRAM IS STOP MODE.

NOTE: DO NOT USE ANY PART NUMBER SHOWN ON THIS SCHEMATIC DIAGRAM FOR ORDERING. WHEN YOU ORDER A PART, PLEASE REFER TO PARTS LIST.

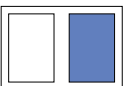
6

7

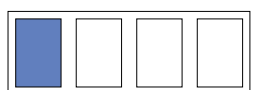
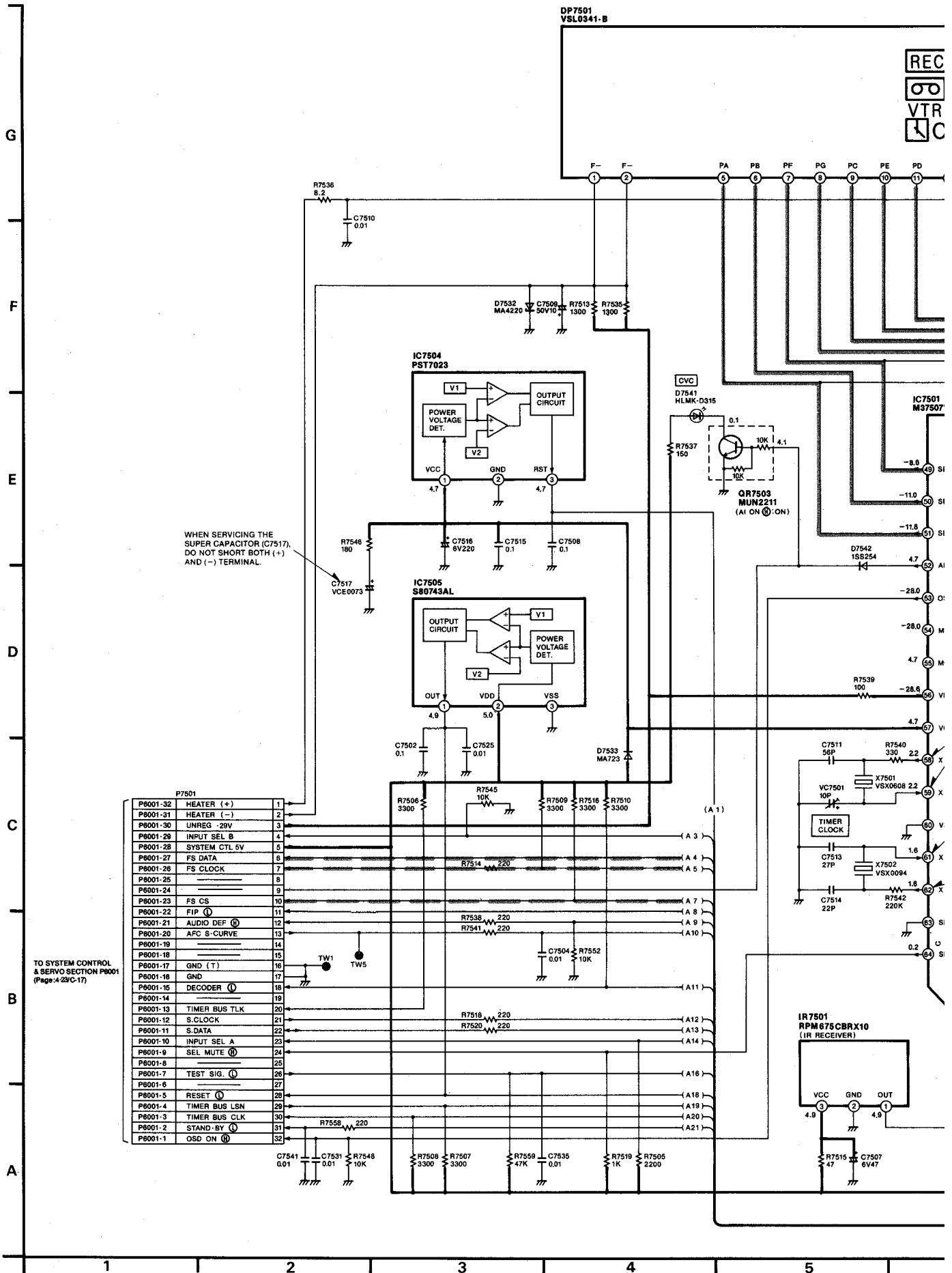
8

9

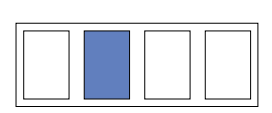
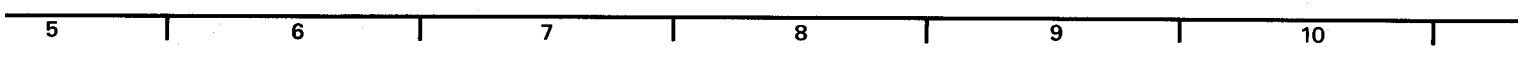
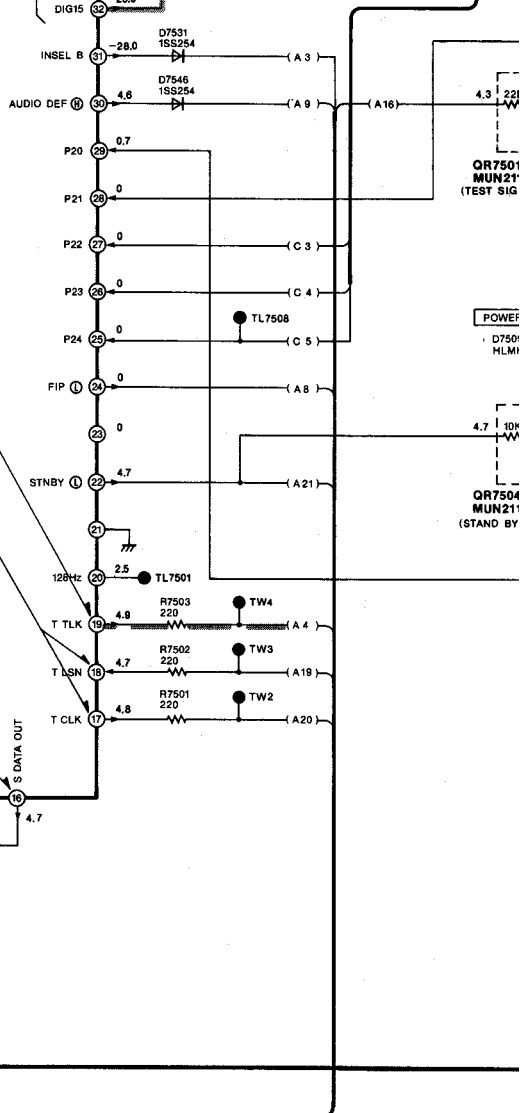
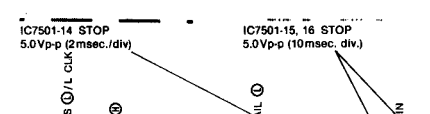
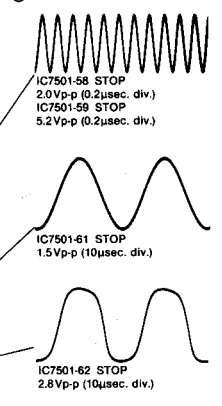
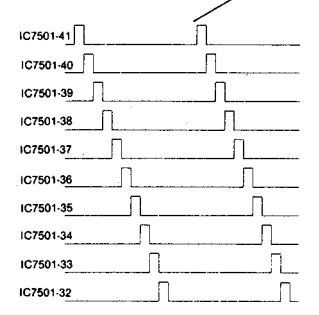
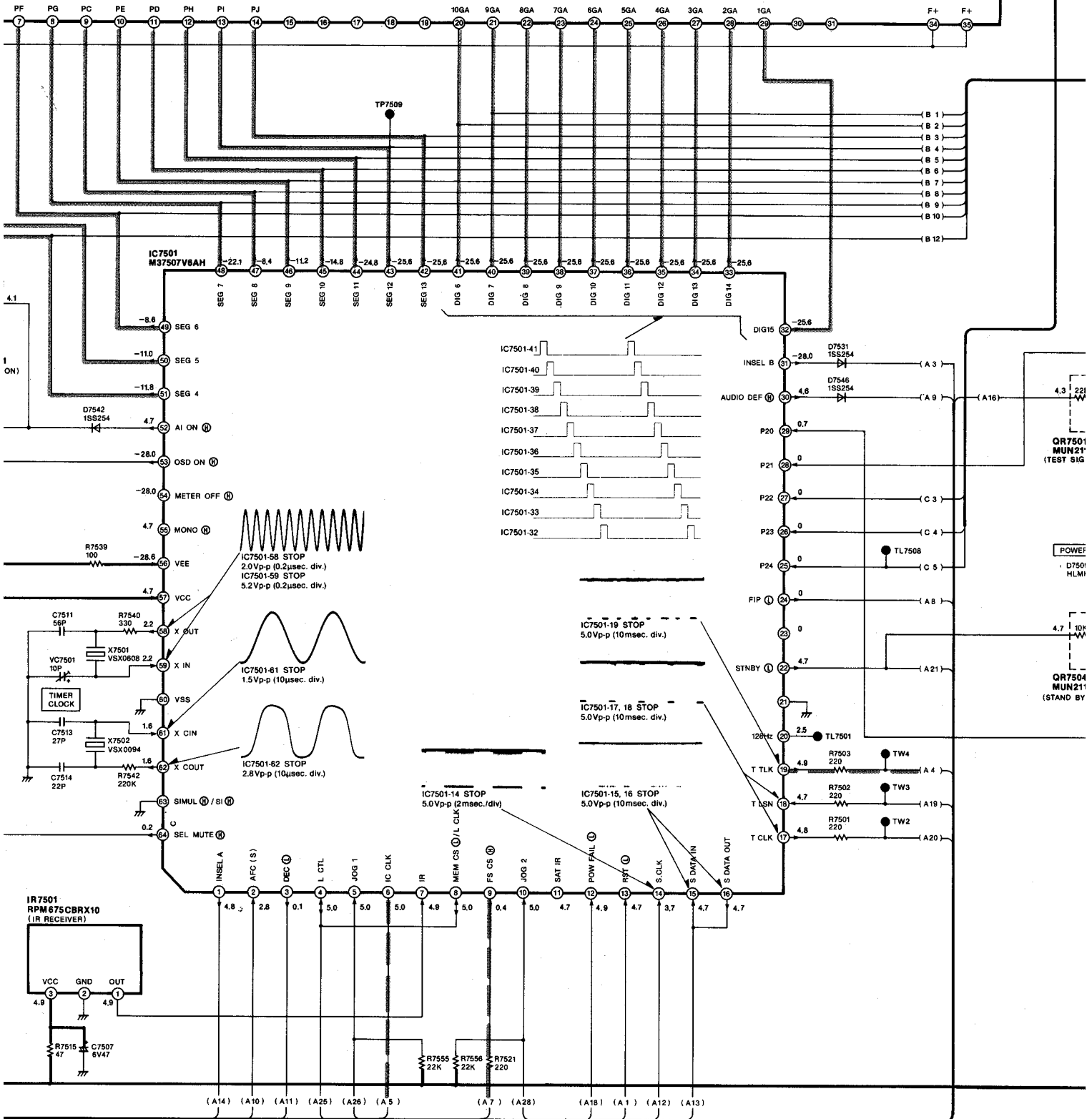
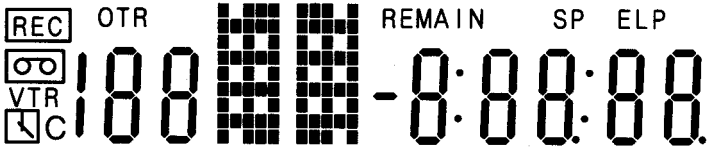
10



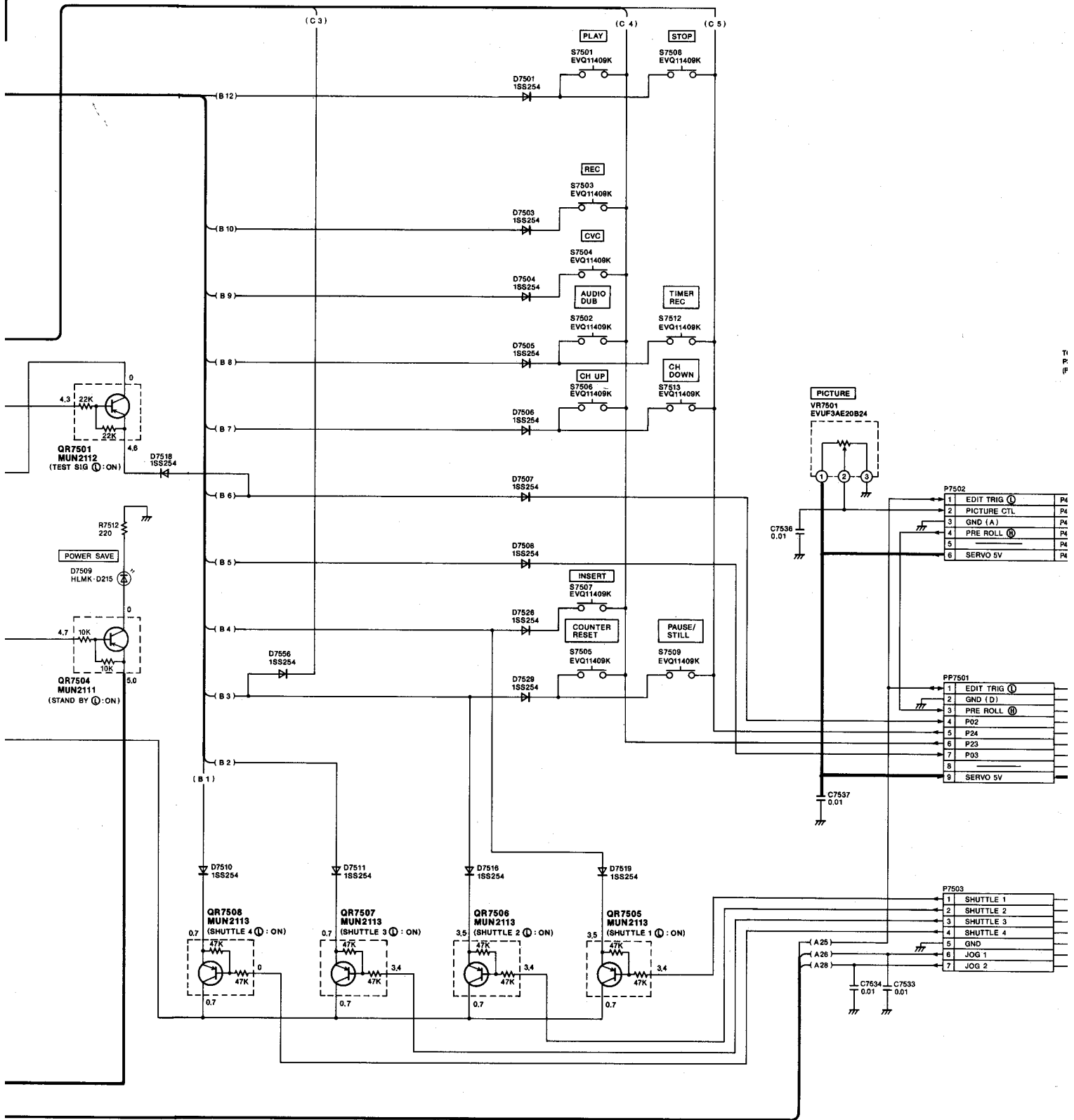
# 4-23. TIMER & OPERATION SCHEMATIC DIAGRAM (NV-SD450EE)



# SD450EE)



# SEGMENT CONTROL S



T  
P  
F

NOTE: THE MEASU

11

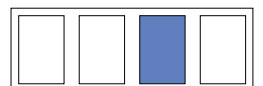
12

13

14

15

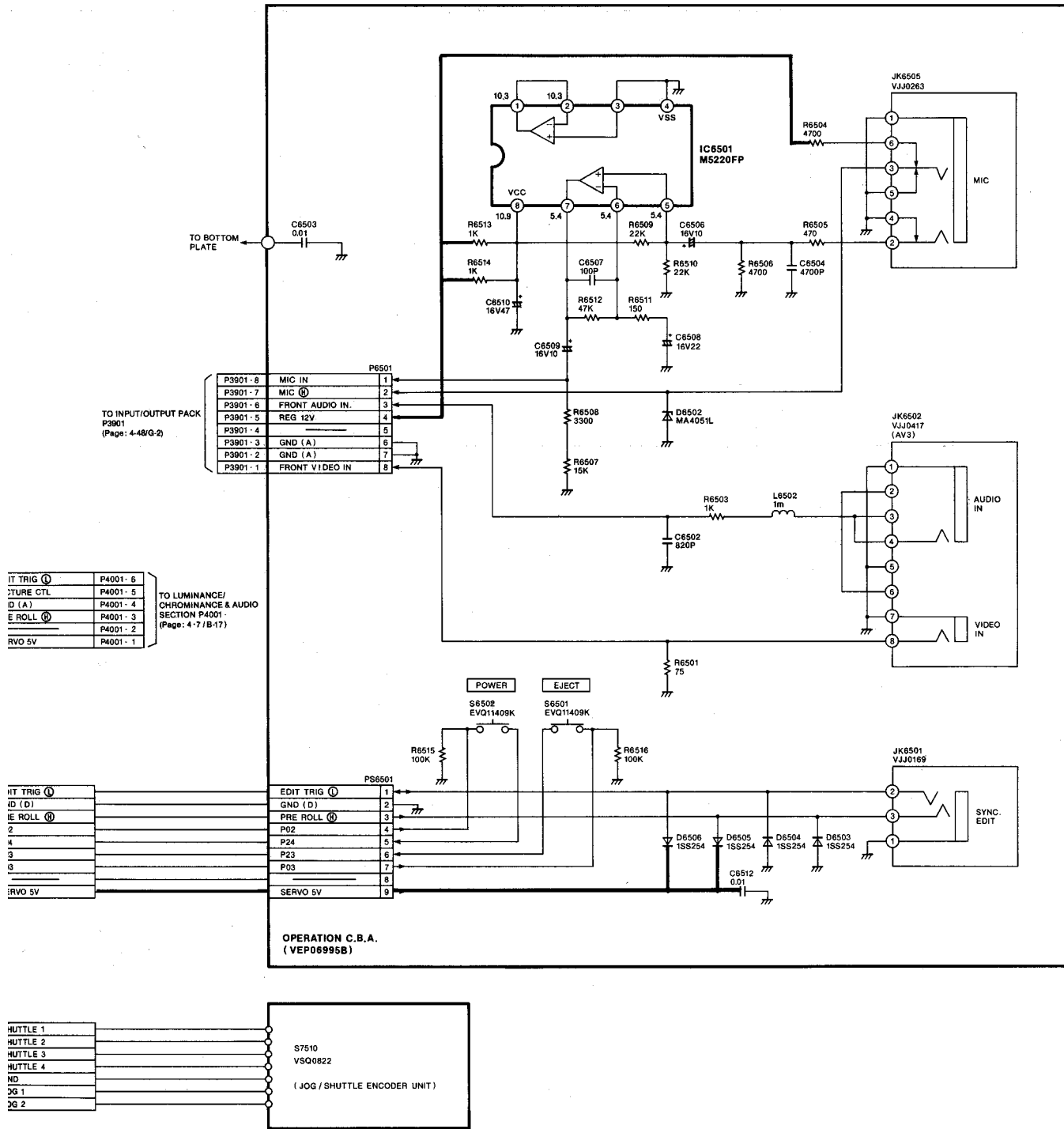
16



CONTROL SIGNAL

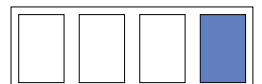
GRID CONTROL SIGNAL

TUNE CONTROL SIGNAL



NOTE: THE MEASUREMENT MODE OF THE DC VOLTAGE ON THIS DIAGRAM IS STOP MODE.

NOTE: DO NOT USE ANY PART NUMBER SHOWN ON THIS SCHEMATIC DIAGRAM FOR ORDERING. WHEN YOU ORDER A PART, PLEASE REFER TO PARTS LIST.

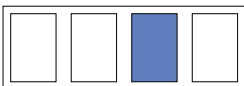
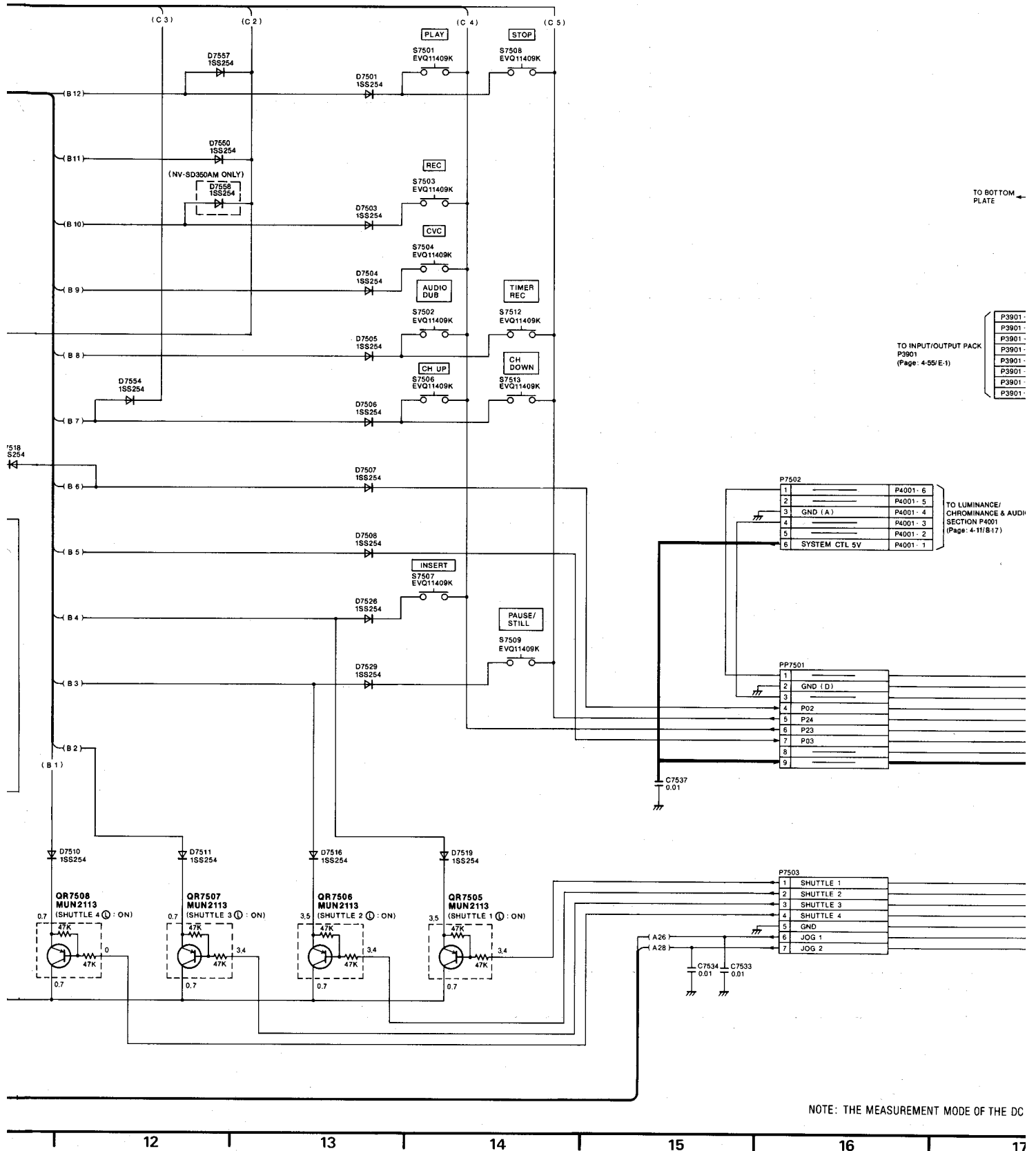








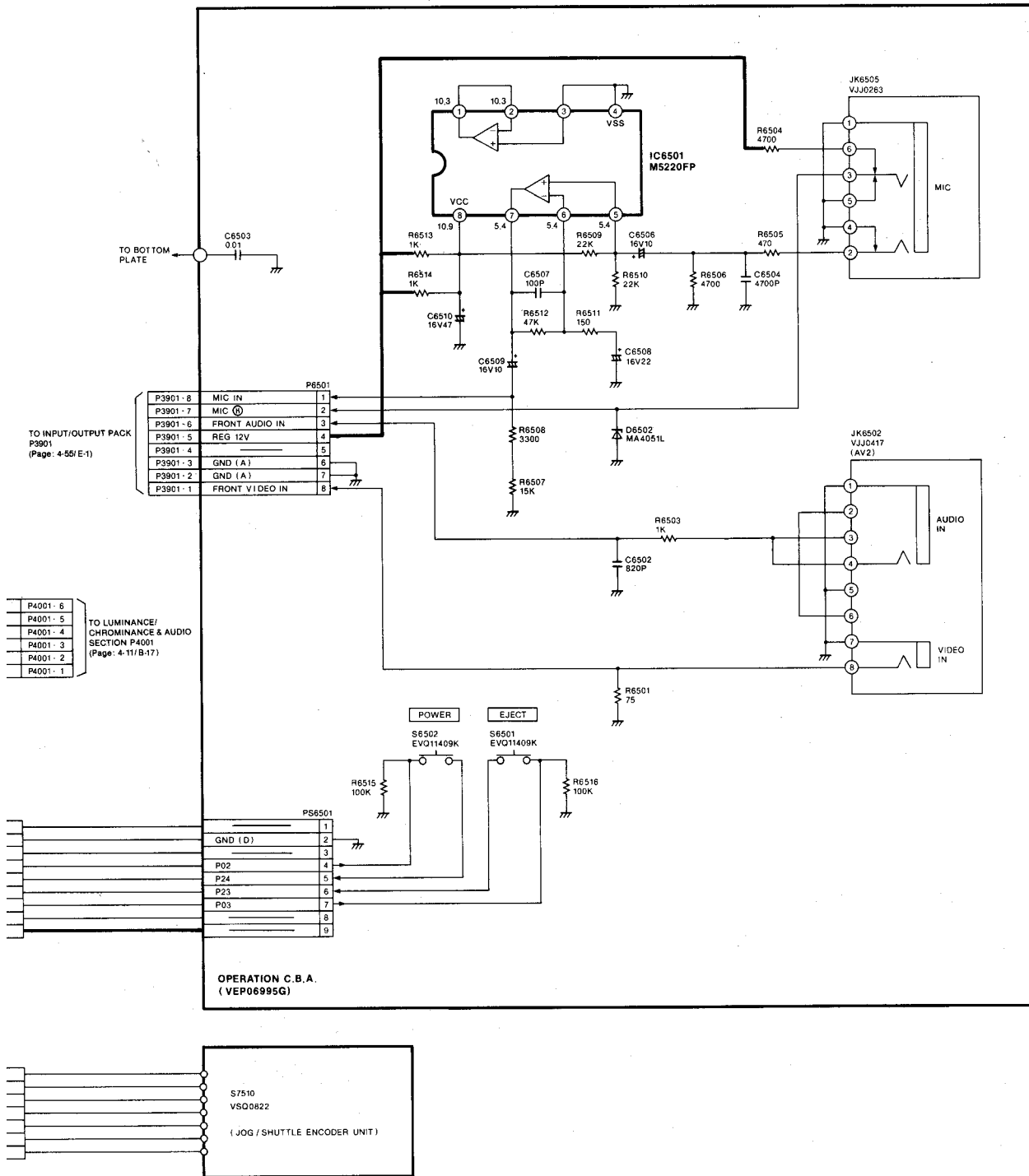
# SEGMENT CONTROL SIGNAL



SIGNAL

GRID CONTROL SIGNAL

TUNE CONTROL SIGNAL



MEASUREMENT MODE OF THE DC VOLTAGE ON THIS DIAGRAM IS STOP MODE.

NOTE: DO NOT USE ANY PART NUMBER SHOWN ON THIS SCHEMATIC DIAGRAM FOR ORDERING. WHEN YOU ORDER A PART, PLEASE REFER TO PARTS LIST.

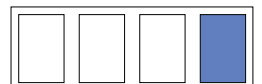
17

18

19

20

21



# 4-27. HEAD AMP SCHEMATIC DIAGRAM

TO LUMINANCE/  
CHROMINANCE & AUDIO  
SECTION P3002  
(Page: 4-7/B-17)  
NV-SD450EE  
(Page: 4-11/B-17)  
NV-SD350AM,  
NV-SD450EU

P501		
P3002-14	REC Y	1
P3002-13	D. REC 12V	2
P3002-12	REC C	3
P3002-11	GND	4
P3002-10	RF Y	5
P3002-9	EX. REC 5V	6
P3002-8	RF C	7
P3002-7	H. AMP SW	8
P3002-6	HEAD SW	9
P3002-5	TRACKING ENV.	10
P3002-4	ENV. SELECT	11
P3002-3	CURR. EMPH. (H)	12
P3002-2	LP (H)	13
P3002-1	GND	14



P501-1 REC  
1.4Vp-p (10msec. div)



P501-3 REC  
0.6Vp-p (20µsec. div)



P501-5 PLAY  
0.2Vp-p (10msec. div)

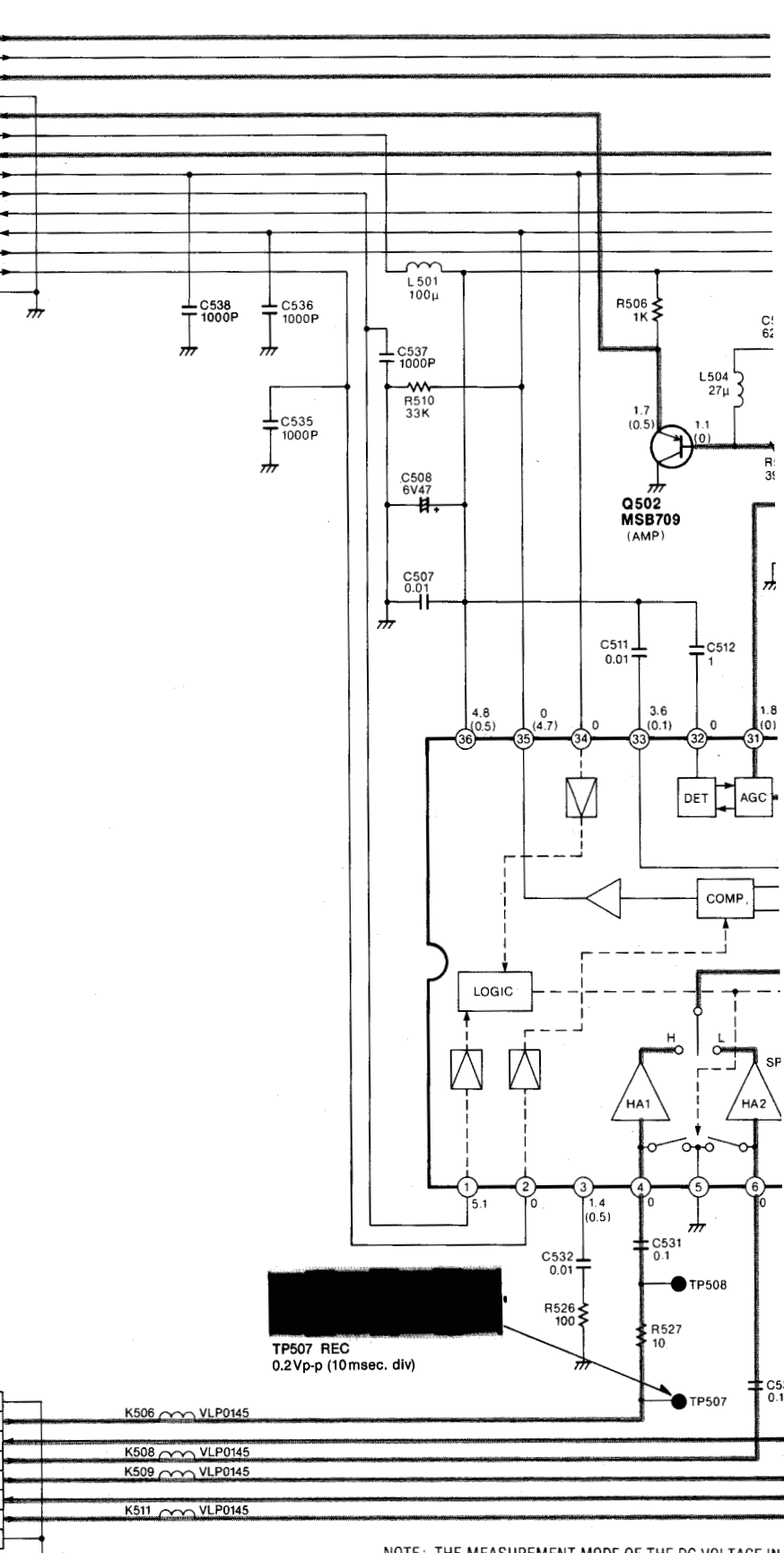
P501-7 PLAY  
0.3Vp-p (10msec. div)



P501-9 REC  
5.0Vp-p (10msec. div)

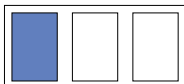
P502		
GND	1	
L'	2	
COM'	3	
R'	4	
R	5	
COM	6	
L	7	
GND	8	

TO CYLINDER VIDEO  
HEAD

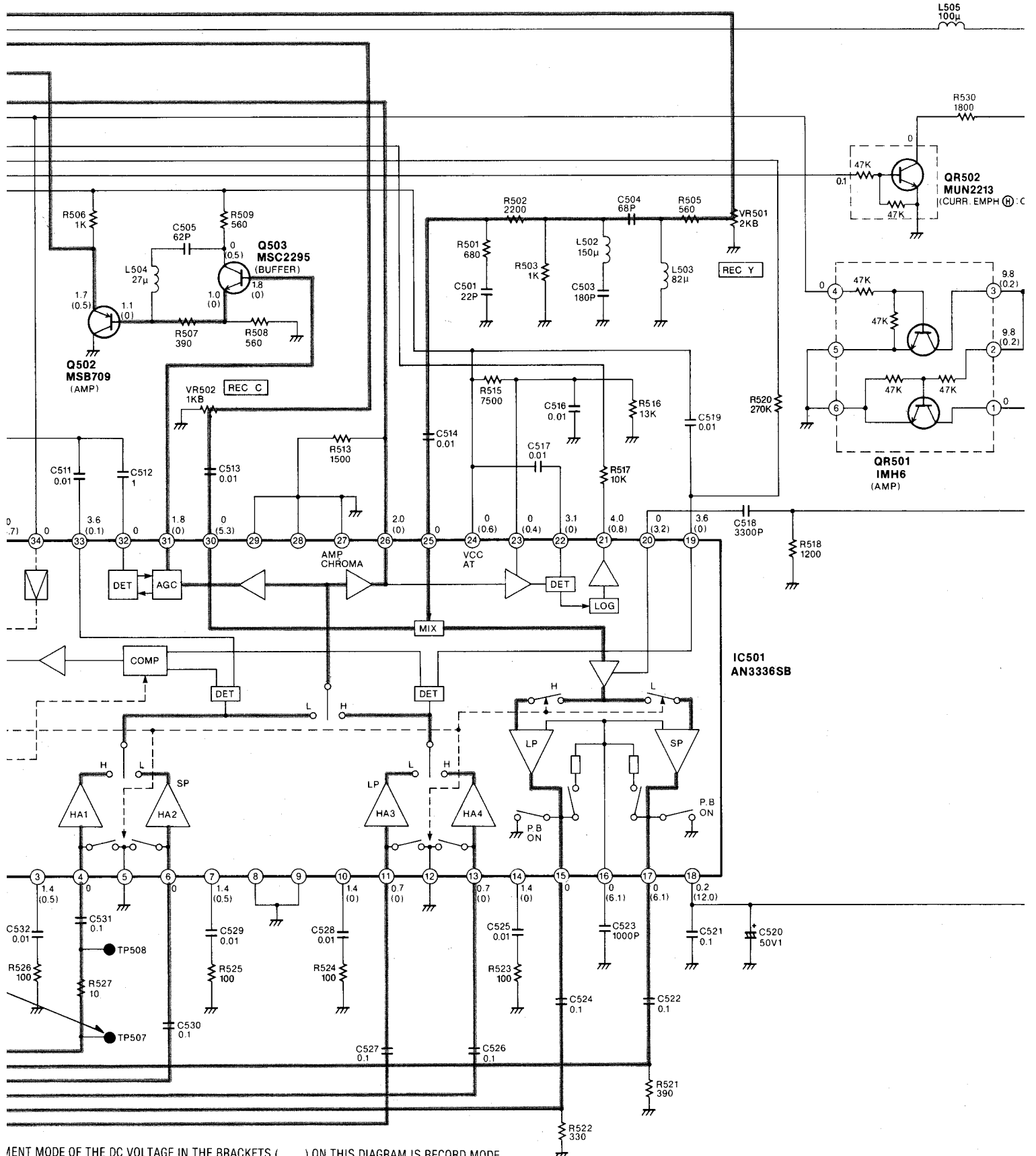


TP507 REC  
0.2Vp-p (10msec. div)

NOTE: THE MEASUREMENT MODE OF THE DC VOLTAGE IN WITH PAL COLOUR SIGNAL. (SP MODE)  
THE MEASUREMENT MODE OF THE DC VOLTAGE OUT WITH PAL COLOUR SIGNAL. (SP MODE)



VIDEO MAIN SIGNAL PATH IN REC MODE  
 VIDEO MAIN SIGNAL PATH IN PLAYBACK M



IN RECORD MODE OF THE DC VOLTAGE IN THE BRACKETS ( ) ON THIS DIAGRAM IS RECORD MODE  
 IN PLAYBACK MODE OF THE DC VOLTAGE OUT OF THE BRACKETS ON THIS DIAGRAM IS PLAYBACK MODE

NOTE: DO NOT USE ANY PART NUMBER SHOWN IN THIS SCHEMATIC DIAGRAM FOR ORDERING PARTS. IF YOU ORDER A PART, PLEASE REFER TO PART NUMBER LIST.

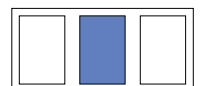
4

5

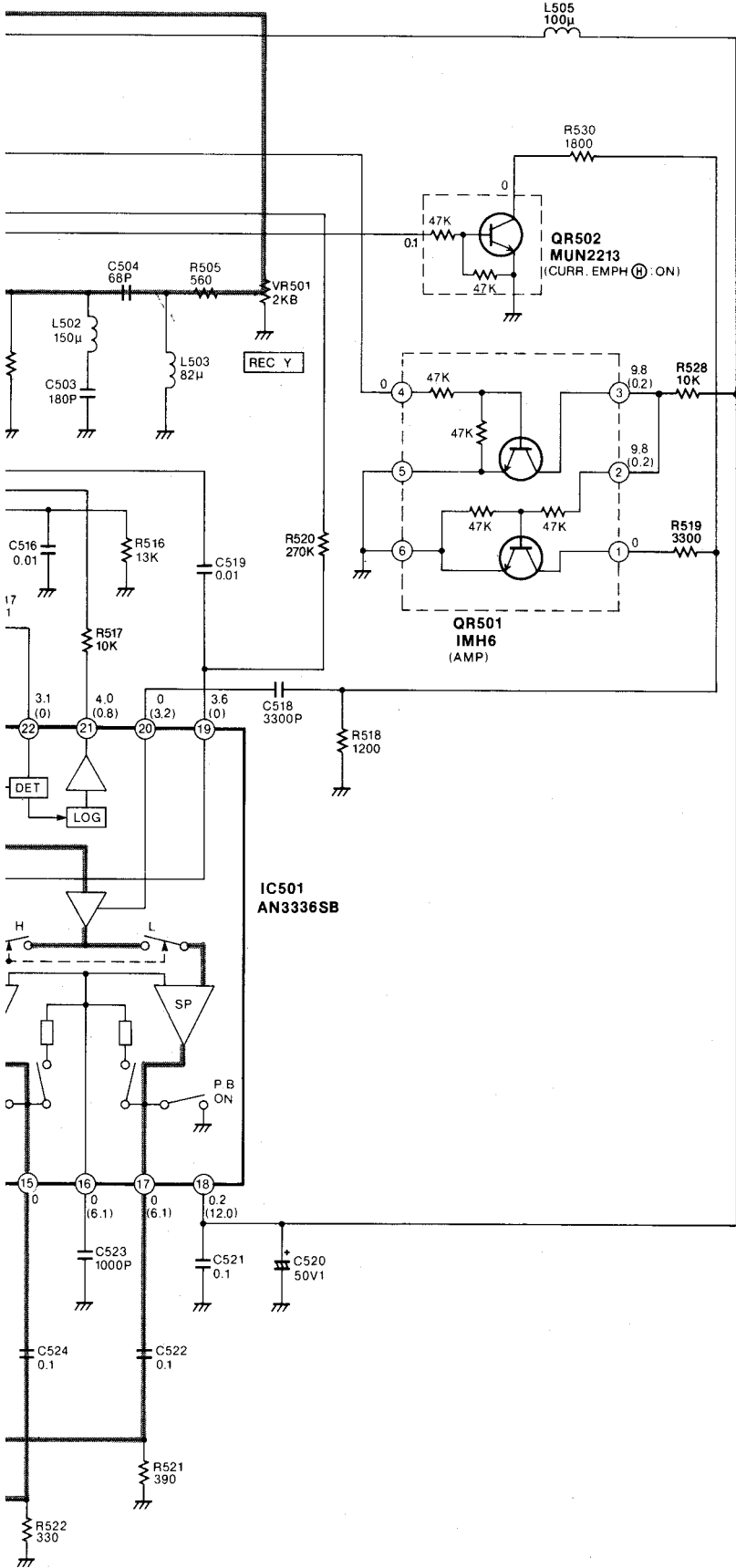
6

7

8



— VIDEO MAIN SIGNAL PATH IN REC MODE  
 — VIDEO MAIN SIGNAL PATH IN PLAYBACK MODE



NOTE: DO NOT USE ANY PART NUMBER SHOWN ON THIS SCHEMATIC DIAGRAM FOR ORDERING. WHEN YOU ORDER A PART, PLEASE REFER TO PARTS LIST.

